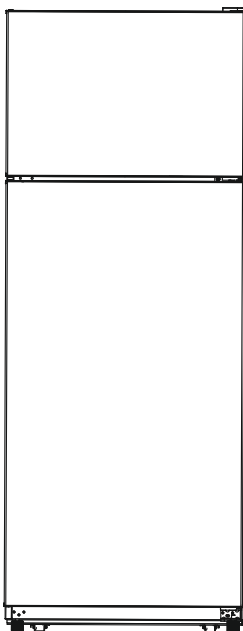


iNOX

FROST-FREE REFRIGERATOR-FREEZER INSTRUCTION MANUAL

Model No.: IXR-NR498GB



To ensure proper use of this appliance and your safety, please read the following instructions completely before operating this appliance.

This appliance is intended to be used in household and similar applications such as

- staff kitchen areas in shops, offices and other working environments;
- farm houses and by clients in hotels, motels and other residential type environments;
- bed and breakfast type environments;
- catering and similar non-retail applications.

This refrigerating appliance is intended to be used at ambient temperatures ranging from 16 °C to 43 °C;

This refrigerating appliance is not intended to be used as a built-in appliance.

IMPORTANT SAFETY INSTRUCTIONS



To reduce the risk of fire, electrical shock, or injury when using your refrigerator, follow these basic precautions:

- **WARNING:** This appliance is not intended for use by persons (including children) with reduced physical, sensory or mental capabilities, or lack of experience and knowledge, unless they have been given supervision or instruction concerning use of the appliance by a person responsible for their safety.
- **WARNING:** Keep ventilation openings, in the appliance enclosure or in the built-in structure, clear of obstruction.
- **WARNING:** Do not use mechanical devices or other means to accelerate the defrosting process, other than those recommended by the manufacturer.
- **WARNING:** Do not damage the refrigerant circuit.
- **WARNING:** Do not use electrical appliances inside the food storage compartments of the appliance, unless they are of the type recommended by the manufacturer.

For appliances which use flammable insulation blowing gases, the instructions shall include information regarding disposal of the appliance.

When unit becomes useless, don't throw it in nature, it may contain harmful material for environment. Please make sure to dispose of unit as per applicable legal system that respects the environment.

- ◆ Do not store explosive substances such as aerosol cans with a flammable propellant in this appliance.

Symbol ISO 7010 W021 is used, its meaning is explained as follows:



Warning: risk of fire / flammable materials

The instructions for refrigerating appliances and ice-makers shall include the substance of the following:

– **WARNING:** When positioning the appliance, ensure the supply cord is not trapped or damaged.

– **WARNING:** Do not locate multiple portable socket-outlets or portable power supplies at the rear of the appliance.

◆**DANGER: Risk of child entrapment.**

◆This appliance should not be used by children aged 8 years and less or persons with reduced physical, sensory or mental capabilities or lack of experience and knowledge unless they are supervised or instructed concerning use of the appliance in a safe way and they understand the hazards involved.

◆Children should be supervised to ensure that they do not play with the appliance.

◆Cleaning and user maintenance must not be performed by children without supervision. Children aged from 3 to 8 years are not allowed to load and unload refrigerating appliances.

◆To avoid the possibility of child entrapment; please take the following precautions before disposing of the refrigerator.

- Remove all doors from the unit.

- Leave the shelves in place so that children cannot easily climb inside.

“**Warning:** please keep the lock keys on where the kids can not reach”

The appliance is not to be used by children or persons with reduced physical, sensory or mental capabilities, or lack of experience and knowledge, unless they have been given supervision or instruction.

Children being supervised not to play with the appliance.

Replacement cord instructions , type Y attachment .If the supply cord is damaged , it must be replaced by the manufacturer , its service agent or similarly qualified persons in order to avoid a hazard..

-Save these instructions-



WARNING:

This refrigerator should be properly grounded for your safety. The power cord of this refrigerator is equipped with a three-prong plug which is compatible with standard three-prong wall outlets to minimise the possibility of electrical shock.

This refrigerator requires a standard 220-240V/50-60Hz electrical outlet with three-prong grounded socket.

Do not, under any circumstances, cut or remove the third ground prong from the power cord supplied.

Improper use of the grounded plug can result in the risk of electrical shock.

This refrigerator is not designed to be used with an inverter.

The cord should be secured behind the refrigerator and not left exposed or dangling, so as to prevent accidental injury.

Never unplug the refrigerator by pulling the power cord. Always grip the plug firmly and pull straight out from the socket.

Do not use an extension cable with this appliance. If the power cord is too short, have a qualified electrician or service technician install an outlet near the appliance. Use of an extension cord can negatively affect the performance of the unit.

- **WARNING: If the supply cord is damaged, it must be replaced by the manufacturer, its service agent or similarly qualified persons in order to avoid a hazard.**

■Special note for user as following:

1. The refrigerator should be keeping in ventilation place, cut off the power when any exceptional things happen and contact factory timely.
2. Around the refrigerator especial the compressor area no fair is allowed, in case of refrigerant leakage causing personal injury.
3. Never use any spray near the refrigerator. It can cause danger of explosion.
4. Do not use any sharp tools when cleaning the inside. The cooling system can be damaged or there may be electric shock.
5. Do not place the foods too close to vents, as this can obstruct free air circulation.

Attention!

1. When storing food, wrap it in plastic wrap or store it in a container with a lid; this prevents odours and keeps it dry. Opening the door for long periods can cause a significant increase of the temperature in the compartments of the appliance.
2. There should be sufficient space between each item of food; do not store too much food.
3. To save electricity, do not open the door too frequently.

Clean regularly surfaces that can come in contact with food and accessible drainage systems.

4. Store raw meat and fish in suitable containers in the refrigerator, so that it is not in contact with or drip onto other food.
5. If the refrigerating appliance is left empty for long periods, switch off, defrost, clean, dry, and leave the door open to prevent mould developing within the appliance.

IF THIS APP. CONTAINS QUANTITY OF ENVIRONMENTALLY-FRIENDLY BUT FLAMMABLE R600A REFRIGERANT. ENSURE THAT THE REFRIGERANT IS NOT DAMAGED DURING TRANSPORTATION AND INSTALLATION.

For appliances which use flammable insulation blowing gases, the instructions shall include information regarding disposal of the appliance .

Choose a location which is not exposed to sunlight, relatively free from dust, heat and humidity, and offers good ventilation .

Note:

Do not store explosive substances such as aerosol cans with a flammable propellant in this appliance.

INSTALLATION INSTRUCTIONS

Before Using Your Refrigerator

- Remove the exterior and interior packing.
- Before connecting the refrigerator to the power source, let it stand upright for approximately 4 hours. This will reduce the possibility of a malfunction in the cooling system from improper handling during transportation.
- Clean the interior surface with lukewarm water using a soft cloth.

Installing Your Refrigerator

- This appliance is designed to be free standing only, and should not be recessed or built-in.
- Place your refrigerator on a floor that is strong enough to support the refrigerator when it is fully loaded. Allow 5 inches of space between the back and sides of the refrigerator, which allows the proper air ventilation. Adjust the feet to keep the refrigerator level. Turn clockwise to raise the unit, Turn counterclockwise to lower the unit. Let the right adjustable feet touch the floor firmly, while the left smoothly.

- Locate the refrigerator away from direct sunlight and sources of heat (stove, heater, radiator, etc.). Direct sunlight may affect the acrylic coating and heat sources may increase electrical consumption. Ambient temperature below 50°F or above 85°F will hinder the performance of this appliance.

This unit is not designed for use in a garage or any other outside installation.

- Avoid locating the refrigerator in moist areas.
- Plug the refrigerator into dedicated, properly installed-grounded wall outlet. Do not under any circumstances cut or remove the third (ground) prong from the power cord. Any questions concerning power and/or grounding should be directed toward a certified electrician or an authorized service center.

This unit is not designed to be installed in an RV or used with an inverter.

- After plugging the appliance into a wall outlet, turn the unit on and allow the unit to cool down for 2-3 hours under before placing food in the refrigerator or freezer compartment.

Cautions

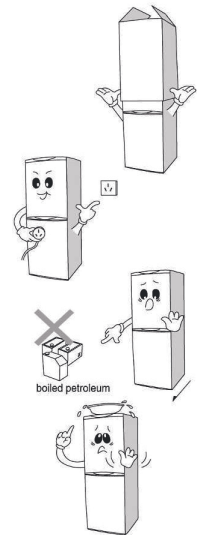
- ◆ A single tri-pin plug must be earthed with a 10A fuse.

No earthing through pipes, telephone wires or gas pipes.

Using improper voltage may result in damage to the appliance and possible injury to the user. Correct voltage is listed on the rating label, beyond which a maximum 300W or more should be installed depending on situations.

No application of disqualified plugs or socket.

To avoid damage to the vital part, wait at least 5 minutes before replugging after a power cut.



◆ No toxic, inflammable, explosive objects and caustic objects (propane lighter gas , glue, petroleum, alcohol, toluol and so on).

◆ Keep the refrigerator body from water and don't put containers with water on the top cover to avoid electric shock or fire.

◆ Shut off the valve immediately and open the windows for ventilation in case of gas release.
The refrigerator plug must not be touched to avoid an explosion.

◆ To avoid the refrigerator slant down or other accidents, please don't pull the refrigerator door violently, or let kids hang on the door or play inside.

◆ Power cut
Open the door as few as possible.
Don't put any food into the refrigerator any more.

◆ When stop applications for quite a long time.
Refrigerators should be used consecutively. To avoid affecting the service life, the refrigerator should be kept on operating even if there's no food preserved.
Unplug the refrigerator when out of work for quite a long time, so as to avoid electric shock or fire caused by insulation aging.
Dry the inside with tablecloth. Dispose the refrigerator in a ventilate place after air-drying.

◆ Please move the plug away from the socket if you do not use it for quite a long time.

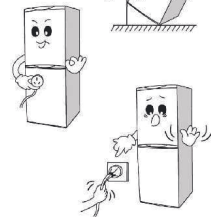
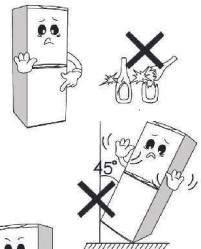
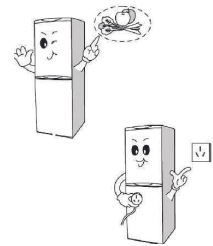
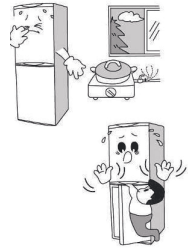
◆ Do not place bottles in the freezer, to avoid split for being frozen.

◆ Be careful when move the refrigerator.
Please refer to the related instructions in the book.

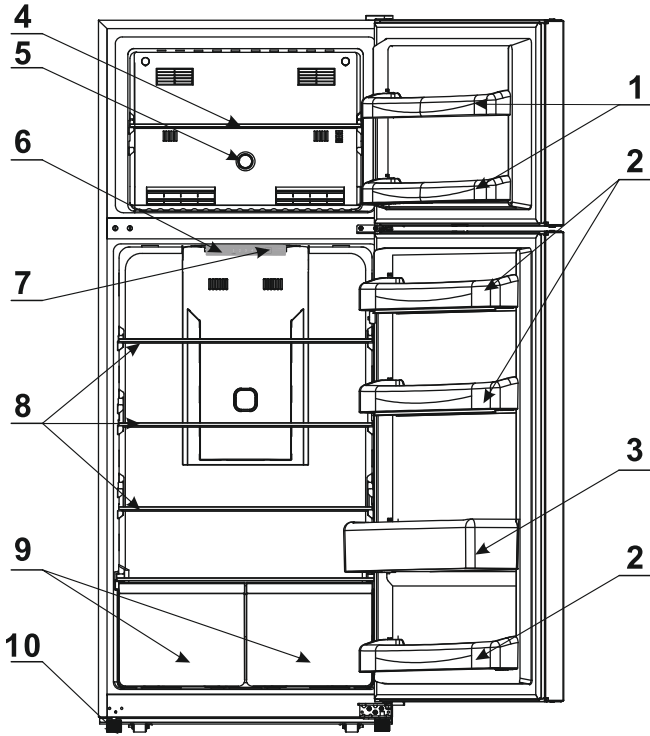
◆ Hold the plug instead of the wire when move away the plug.

◆ Do not switch or plug the refrigerator with wet hands.

⚠ WARNING ⚠: Never touch the interior of the Freezer Chamber or frozen foods in the compartment with wet hands as this could result in frost bite.



NAMES OF THE PARTS



- | | |
|--|----------------------|
| 1.FREEZER BIN | 2.REFRIGERATOR BIN |
| 3.BOTTLE SHELF | 4.FREEZER SHELF |
| 5.FREEZER TEMPERATURE CONTROL KNOB | 6.LAMP COVER |
| 7. REFRIGERATOR TEMPERATURE CONTROL KNOB | 8.REFRIGERATOR SHELF |
| 9. CRISPER | 10.LEVELING LEG |

Caution:

The accessories vary from type to type. Please refer to the packing list for details.

Application

■Refrigerator

The temperature in the refrigerator is some 0°C-10°C, which is applicable to preserve food, such as vegetables and fruits, for a short period.

Optimize the preservation and make full use of the space by sorting the food.

Sorting sample:

■Freezer

The temperature is less than-18°C in the freezer, which is applicable to preserve food need to be kept for a long period, such as meat and fish. Glass items contained liquid cannot be kept in the freezer.

Limit the food reserved in the range of the freezing capacity.

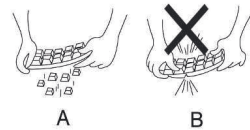
Caution:

Keep the following things out of the freezer-carbonating beverage and instant cold pack in the market (such as ammonium-nitrate and carbamide).

■Ice-making

Drop cold boiled water or beverage into cleaned ice tray until it reaches 80 per of the tray. Then put the tray into the freezer.

Bend the tray a little (as A), avoid spoiling ice tray with over strength (as B). If the product is equipped with ice maker, it is operated according to the pattern of the panel.



OPERATING YOUR REFRIGERATOR

Temperature Control

REFRIGERATOR COMPARTMENT



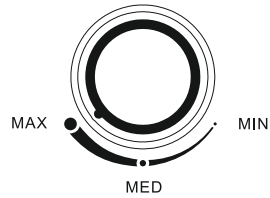
- The cold storage temperature control button is located at the top of the cold room, press the "SET" key, you can adjust the temperature of the cold storage; (The refrigeration temperature control button is located at the top of the refrigerator compartment. Press the "SET" button to adjust the refrigerator temperature;)
- The first time you turn the unit on, adjust the temperature control button to "5" and run for at least 2 hours before putting foods inside. This will ensure the cabinet is thoroughly chilled before food is put in.
- The range of the REFRIGERATOR temperature control is from position "1" the warmest to "5" the coldest. Adjust the temperature control to the setting that best suits your needs. The setting of "3" should be appropriate for home or office refrigerator use.

• NOTE;

- If the unit is unplugged, loses power; you must wait 3 to 5 minutes before restarting the unit. If you attempt to restart before this time delay, the refrigerator will not start.
- Large amounts of food will lower the cooling efficiency of the appliance.
- Do not place the foods on the air outlet, and leave spaces for airflow.
- If you choose to change the thermostat setting, adjust thermostat control by one increment at a time. Allow several hours for temperature to stabilize between adjustments.
- Adjusting the temperature control in the refrigerator compartment will affect the temperature in both the refrigerator and the freezer compartment.

FREEZER COMPARTMENT

- Your refrigerator has one control for regulating the temperature. The temperature control is located on the middle of the freezing chamber.
- The first time you turn the unit on, adjust the temperature control knob to "MAX" and run for at least 2 hours before putting foods inside. This will ensure the cabinet is thoroughly chilled before food is put in.
- The range of the FREEZER temperature control is from position "MIN" the warmest to "MAX" the coldest. Adjust the temperature control to the setting that best suits your needs. The setting of "MED" should be appropriate for home or office refrigerator use.



The Freezer Compartment

- This compartment is designed for the long-term storage of frozen food. Storage time period is up to three months.
- The storage life of frozen foods varies and the recommended storage time should not be exceeded.
- Place frozen food into the freezer as quickly as possible after purchase. If there are instructions on the packet, carefully follow these instructions regarding storage times.

Changing the Light board

LED lamp can not be replaced by user, if the LED lamp is damaged
Please contact the nearest authority to replace it.

CARE AND MAINTENANCE

Cleaning Your Refrigerator

- Upon installation of your new appliance, it is recommended that it be cleaned thoroughly.
- Turn off the refrigerator first and then unplug the unit from the wall outlet.
- Remove all food content.
- Wash the inside with a damp warm cloth soaked in lukewarm water and baking soda solution. The solution should be about 2 tablespoons of baking soda to a quart of water.
- Be sure to keep the door gasket (seal) clean to keep the unit running efficiently.
- The outside of the refrigerator should be cleaned with mild detergent and warm water.
- Dry the interior and exterior with a soft cloth.
- The condenser coils should be vacuumed when they are dusty or dirty.
- To keep the inside sanitary without odor or dirty, regular cleaning required at least once a month.

Vacation Time

- Turn off the refrigerator first and then unplug the unit from the wall outlet.
- Remove all the food.
- Clean the refrigerator.
- Leave the lid open slightly to avoid possible formation of condensation, mold, or odors.
- Use extreme caution in the case of children. The unit should not be accessible to child's play.
- **Short vacations:** Leave the refrigerator operating during vacations of less than three weeks.
- **Long vacations:** If the appliance will not be used for several months, remove all food and unplug the power cord. Clean and dry the interior thoroughly. To prevent odor and mold growth, leave the door open slightly: blocking it open if necessary or have the door removed.

Moving Your Refrigerator

- Turn off the refrigerator first and then unplug the unit from the wall outlet.
- Take the food out of the refrigerator and empty the ice from the ice tray.
- Remove the compressor baffle on the back of the refrigerator, take out the water tray on the top of the compressor and empty the water.
- Securely tape down all loose items inside your refrigerator.
- Tape the doors shut.
- Be sure the refrigerator stays in the upright position during transportation.
- Ensure that the refrigerator is not damaged during transportation and installation.

Energy Saving Tips

- The refrigerator should be located in the coolest area of the room, away from heat producing appliances or heating ducts, and out of the direct sunlight.
- Let hot foods cool to room temperature before placing in the refrigerator. Overloading the refrigerator forces the compressor to run longer. Foods that freeze too slowly may lose quality, or spoil.
- Be sure to wrap foods properly, and wipe containers dry before placing them in the refrigerator. This cuts down on frost build-up inside the refrigerator.
- Organize and label food to reduce door openings and extended searches. Remove as many items as needed at one time, and close the door as soon as possible.

TROUBLESHOOTING GUIDE

You can solve many common refrigerator problems easily, saving you the cost of a possible service call. Try the suggestions below to see if you can solve the problem before calling for service.

PROBLEM	POSSIBLE CAUSE
Refrigerator does not operate.	Not plugged in. The circuit breaker tripped or a blown fuse.
Compressor turns on and off frequently.	The room temperature is hotter than normal. A large amount of food has been added to the refrigerator. The door is opened too often. The door is not closed completely. The temperature control is not set correctly. The door gasket does not seal properly. The refrigerator does not have the correct clearances. The refrigerator has recently been disconnected for a period of time. 4 hours are required for the refrigerator to cool down completely.
Temperature inside the refrigerator is too warm.	Temperature control is set too warm. Turn the control to a cooler setting and allow several hours for the temperature to stabilize. Door is kept open too long or is opened too frequently. Warm air enters the refrigerator every time the door is opened. Open the door less often. The door is not closed completely. The door gasket does not seal properly. A large amount of warm or hot food might have been stored recently. Wait until the refrigerator has had a chance to reach its selected temperature. The refrigerator has recently been disconnected for a period of time. 4 hours are required for the refrigerator to cool down completely.
Temperature inside the refrigerator is too cold.	Temperature control is set too cold. Turn the control to a warmer setting and allow several hours for the temperature to stabilize.
Temperature of external refrigerator surface is warm.	The exterior refrigerator walls can be as much as 30°F warmer than room temperature. This is normal while the compressor works to transfer heat from inside the refrigerator cabinet.
Popping or cracking sound when compressor comes on.	Metal parts undergo expansion and contraction, as in hot water pipes. This is normal. Sound will level off or disappear as refrigerator continues to run.
Bubbling or gurgling sound, like water boiling.	Refrigerant (used to cool refrigerator) is circulating throughout the system. This is normal.
Vibrations.	Check to assure that the refrigerator is on a level surface. Floor is uneven or weak. Refrigerator rocks on the floor when it is moved slightly. Be sure floor can adequately support refrigerator. Level the refrigerator by putting wood or metal shims under part of the refrigerator. The refrigerator is touching the wall. Re-level the refrigerator and move it from the wall. See "Installation Instructions".
Moisture forms on inside refrigerator walls.	Weather is hot and humid, which increases internal rate of frost build-up. This is normal. Door is slightly open. Door is kept open too long, or is opened too frequently. Open the door less often. The door is not sealed properly.
Moisture forms on outside of refrigerator.	Door is slightly open, causing cold air from inside the refrigerator to meet warm moist air from outside.
The door will not close properly.	The refrigerator is not on a level surface. The gasket is dirty. The storage basket is out of position.

TECHNICAL SPECIFICATIONS

Model No.	IXR-NR498GB
Climate Type	ST/T
Classification of Production Against Electric Shock	I
Total Volume (L)	498
Volume Freezer (L)	91
Volume Fridge (L)	375
Rated Voltage (V)	220-240~
Rated Frequency (Hz)	50-60
Rated Current (A)	1.2
Rated Power (W)	150
Defrosting Power (W)	180
Refrigerant	R600a
Refrigerant Weight (g)	55
Vesicant	Cyclopentane
Net Weight (kg)	71
Noise dB (A)	40
Overall Dimension (mm) W*D*H	708*665*1857

NOTE

* If there is parameter inconsistency, the nameplate on the rear of product shall govern.

* Other than special note, the parameter in this table is also applicable for following improved models.

* The energy consumption is measured under standard conditions.

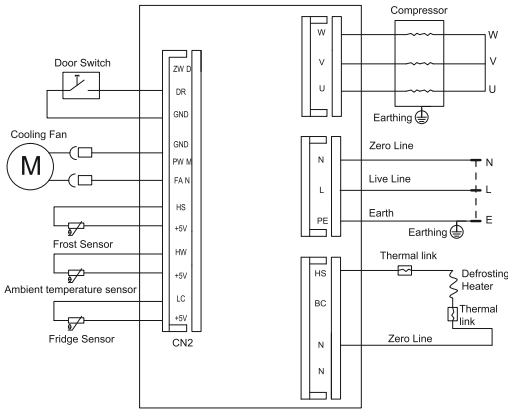
* The energy class is measured under national standard.

Loading List

Model	IXR-NR498GB
Vegetable crisper	2
shelf	5
Ice Tray	1
Egg Tray	2
Door rack	6
Instructions	1

Note: If the product is equipped with ice maker, it has no ice tray.

Circuit Diagram



Correct Disposal of this product



To prevent possible harm to the environment or human health from uncontrolled waste disposal, recycle it responsibly to promote the sustainable reuse of material resources. To return your used device, please use the return and collection systems or contact the retailer where the product was purchased. They can take this product for environmental safe recycling.

英文说明书技术要求（此页不印刷）

大小：142*210mm

材质：封面128g铜版纸，内页80g双胶纸

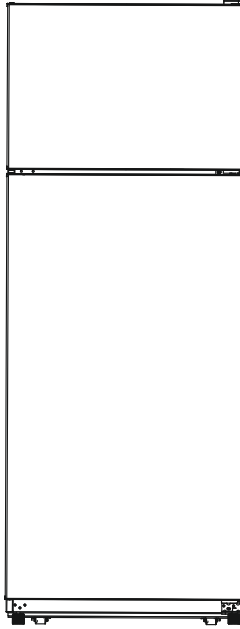
存货编码：

iNOX

تدويب تلقائي للثلج

تعليمات

IXR-NR498GB



اقرأ التعليمات قبل الاستخدام واحتفظ بها.

هذا الجهاز مخصص للاستخدام في التطبيقات المنزلية وما شابهها مثل
- مناطق مطبخ الموظفين في المتاجر والمكاتب وبيئات العمل الأخرى ؛
- بيوت المزارع والعلاء في الفنادق والموتيلات والبيئات السكنية الأخرى ؛
- بيئات من نوع المبيت والإفطار ،

- تقديم الطعام والتطبيقات المماثلة غير البيع بالتجزئة.

•جهاز التبريد هذا مُخصص للاستخدام في درجات حرارة محيطية تتراوح من 16 درجة مئوية إلى 43 درجة مئوية.

•جهاز التبريد هذا غير مخصص للاستخدام كجهاز مدمج.

تعليمات مهمة للسلامة

لتقليل خطر نشوب حريق أو صدمة كهربائية أو إصابة عند استخدام التلاجة،
اتبع هذه الاحتياطات الأساسية:



- **تحذير:** يُعد هذا الجهاز غير مخصص للاستخدام من قبل الأشخاص (بما في ذلك الأطفال) الذين يعانون من ضعف القدرات الجسدية أو الحسية أو العقلية، أو لديهم نقص في الخبرة والمعرفة، ما لم يتم منحهم الإشراف أو التعليمات المتعلقة باستخدام الجهاز من قبل شخص مسؤول عن سلامتهم.

- **تحذير:** حافظ على فتحات التهوية الموجودة في حاوية الجهاز أو في الهيكل المدمج خالية من العوائق.

- **تحذير:** لا تستخدم الأجهزة الميكانيكية أو غيرها من الوسائل لتسريع عملية إزالة الجليد، بخلاف تلك الوسائل التي توصي بها الشركة المُصنعة.

- **تحذير:** لا تلتف دائرة المبرد الكهربائية.

- **تحذير:** لا تستخدم الأجهزة الكهربائية داخل حجيرات تخزين الطعام بالجهاز، إلا إذا كانت من النوع الذي أوصت به الشركة المُصنعة.

بالنسبة للأجهزة التي تستخدم غازات نفخ عازلة قابلة للاشتعال، يجب أن تتضمن التعليمات معلومات تتعلق بالتخلص من الجهاز.

عندما تصبح الوحدة عديمة الفائدة، لا ترميها في الطبيعة، فقد تحتوي على مواد ضارة بالبيئة. يُرجى التأكد من التخلص من الوحدة وفقاً للنظام القانوني المعمول به والذي يحترم البيئة.

♦ لا تقم بتخزين المواد المتفجرة مثل علب الأيروسول التي تحتوي على وقود دافع قابل للاشتعال في هذا الجهاز.

يستخدم الرمز ISO 7010 W021، ويفسر معناه كما يلي:

تحذير: خطر نشوب حريق / مواد قابلة للاشتعال



يجب أن تشمل التعليمات الخاصة بأجهزة التبريد وآلات صنع الثلج على مضمون ما يلي:
- **تحذير:** عند وضع الجهاز، تأكد من أن سلك التيار الكهربائي لا يعوقه شيء أو أنه غير تالف.

- **تحذير:** لا تضع مأخذ مقابس محمولة متعددة أو مصادر طاقة محمولة في الجزء الخلفي من الجهاز.

♦ خطر: خطر انحباس الطفل.

♦ لا يجب استخدام هذا الجهاز من قبل الأطفال الذين تتراوح أعمارهم بين 8 سنوات أو أقل أو أقل أو الأشخاص الذين يعانون من ضعف القدرات الجسدية أو الحسية أو العقلية أو نقص الخبرة والمعرفة ما لم يتم الإشراف عليهم أو توجيههم فيما يتعلق باستخدام الجهاز بطريقة آمنة وما لم يفهموا المخاطر التي تنطوي على ذلك.

♦ يجب مراقبة الأطفال للتأكد من أنهم لا يعيثون بالجهاز.

♦ يجب ألا يقوم الأطفال بالتنظيف وصيانة المستخدم دون إشراف. لا يسمح للأطفال الذين تتراوح أعمارهم من 3 إلى 8 سنوات بتحميل أجهزة التبريد وتفرغها.

♦ لتجنب احتمال انحباس الطفل؛ يُرجى اتخاذ الاحتياطات التالية قبل التخلص من التلاجة.

- أزل جميع الأبواب من الوحدة.

- اترك الأرفف في مكانها حتى لا يتمكن الأطفال من الصعود إلى الداخل بسهولة.

تحذير: فضلاً احتفظ بالمفاتيح بعيداً عن متناول أيدي الأطفال

يجب عدم استخدام الجهاز من قبل الأطفال أو الأشخاص غير المؤهلين بدنياً أو جسدياً أو عقلياً أو قلبياً الخبرة والمعرفة الكافية ما لم يتم الإشراف عليهم أو توجيههم.

يجب توجيه الأطفال بعدم اللعب بالجهاز

في حال تلف كابل التغذية الرئيسي، يجب استبداله من قبل الشركة المصنعة أو وكيل الصيانة المعتمد أو شخص بنفس درجة التأهيل وذلك لتجنب خطر الإصابة

-احتفظ بهذه التعليمات-



تحذير:

يجب تأريض هذه التلاجة بشكل صحيح من أجل سلامتك. تم تجهيز سلك الطاقة لهذه التلاجة بقياس ثلاثي الشوكات متوافق مع مأخذ الحائط القياسية ثلاثية الشوكات لتقليل احتمالية حدوث صدمة كهربائية. تتطلب هذه التلاجة مأخذاً كهربائياً قياسياً 220-240 فولت/50-60 هرتز مع مقبس أرضي ثلاثي الشوكات. لا تقم - تحت أي ظرف من الظروف - بقطع أو إزالة شوكة الأرضي الثالثة من سلك الطاقة المزود.

قد يؤدي الاستخدام غير الصحيح للمقبس للأرضي إلى خطر التعرض لصدمة كهربائية.

هذه التلاجة غير مُصمَّمة للاستخدام مع محول.

يجب تأمين السلك خلف التلاجة وعدم تركه مكشوفاً أو متدلياً، وذلك لتجنب الإصابة العرضية.

لا تفصل الثلجة مطلقاً عن طريق سحب سلك الطاقة. أمسك القابض دائماً بإحكام واسحبه من المقبس بشكل مستقيم. لا تستخدم كابل إطالة مع هذا الجهاز. إذا كان سلك الطاقة قصيراً جداً، فاستعن بفني كهربائي أو فني خدمة مؤهل لتثبيت مأخذ بالقرب من الجهاز. يمكن أن يؤثر استخدام سلك الإطالة سلباً على أداء الوحدة.

- تحذير: في حالة تلف سلك الإطالة، يجب استبداله من قبل الشركة المُصنعة أو وكيل الخدمة التابع لها أو الأشخاص المؤهلين بشكل مشابه من أجل تجنب الخطر.

■ ملاحظة خاصة للمستخدم على النحو التالي:

1. يجب أن تبقى الثلجة في مكان ذي تهوية، ويتم قطع التيار الكهربائي عند حدوث أي أشياء استثنائية، ويتم الاتصال المصنع في الوقت المناسب.
2. لا يُسمح بملامسة أي أشياء للثلجة وخاصة أن تلامس الأشياء منطقة الضاغط، لأنه في حالة تسرب قد تحدث إصابة شخصية.
3. لا تستخدم أي رذاذ بالقرب من الثلجة. حيث يمكن أن يسبب خطر الانفجار.
4. لا تستخدم أي أدوات حادة عند تنظيف الداخل. حيث يمكن أن يتلف نظام التبريد أو قد تحدث صدمة كهربائية.
5. لا تضع الأطعمة قريبة جداً من فتحات التهوية، لأن ذلك قد يعيق دوران الهواء الطلق.

تنبيه!

1. عند تخزين الطعام، قم بلفه في غلاف بلاستيكي أو تخزينه في وعاء بغطاء؛ لأن هذا يمنع الروائح ويبقي الطعام جافاً. يمكن أن يؤدي فتح الباب لفترات طويلة إلى ارتفاع كبير في درجة الحرارة في حجيرات الجهاز.
2. يجب أن يكون هناك مسافة كافية بين كل عنصر من المواد الغذائية؛ لا تخزن الكثير من الطعام.
3. لتوفير الكهرباء، لا تفتح الباب بصورة متكررة أكثر من المعتاد. نظف الأسطح التي يمكن أن تتلامس مع الطعام وأنظمة الصرف الصحي التي يمكن الوصول إليها بانتظام.
4. خزن اللحوم والأسماك النيئة في حاويات مناسبة في الثلجة، بحيث لا تتلامس مع الأطعمة الأخرى أو تقطر عليها.
5. في حالة ترك جهاز التبريد فارغاً لفترات طويلة، قم بإيقاف تشغيله، وإذابة الثلج، وتنظيفه، وتجفيفه، وترك الباب مفتوحاً لمنع تكوّن العفن داخل الجهاز.

يحتوي الجهاز على كمية من مادة التبريد R600A وهي لا تضر ولكنها قابلة للاشتعال، لذا نرجو الانتباه لأية أضرار أثناء نقل الجهاز أو تركيبه.

بالنسبة للأجهزة التي تستخدم غازات نفع عازلة قابلة للاشتعال، يجب أن تتضمن التعليمات معلومات تتعلق بالتخلص من الجهاز.

اختر مكاناً لا يكون عرضة لأشعة الشمس ويكون خالياً نسبياً من الغبار والحرارة والرطوبة ويحتوي على تهوية جيدة

ملاحظة: لا تقم بتخزين المواد المتفجرة مثل علب الأيروسول التي تحتوي على وقود دافع قابل للاشتعال في هذا الجهاز.

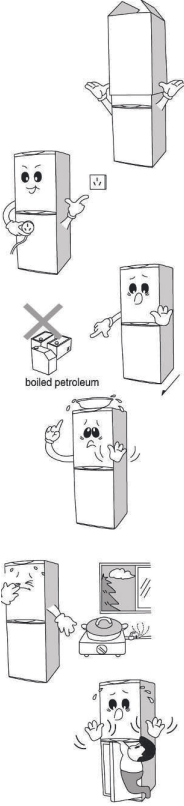
تعليمات التركيب

قبل استخدام ثلاجتك

- أزل التغليف الخارجي والداخلي
- قبل توصيل الثلاجة بمصدر الطاقة، اتركها منتصبة لمدة 4 ساعات تقريبًا. سيؤدي ذلك إلى تقليل احتمالية حدوث عطل في نظام التبريد نتيجة التعامل غير السليم أثناء النقل.
- نظف السطح الداخلي بالماء الفاتر باستخدام قطعة قماش ناعمة.

تركيب ثلاجتك

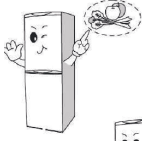
- تم تصميم هذا الجهاز ليكون قائمًا بذاته فقط، ولا ينبغي وضعه في تجويف أو جدار.
- ضع ثلاجتك على أرضية قوية بما يكفي لدعم الثلاجة عندما تكون محملة بالكامل.
- اترك مسافة 5 بوصات بين ظهر وجوانب الثلاجة، مما يسمح بالتهوية المناسبة للهواء.
- اضبط القدمين للحفاظ على مستوى الثلاجة. ادر في اتجاه عقارب الساعة لرفع الوحدة، وادر في عكس اتجاه عقارب الساعة. دع القدمين اليمنى القابلتين للضبط تلمسان الأرض برفق، بينما تلامس القدمين اليسرى بسلاسة.
- ضع الثلاجة بعيدًا عن ضوء الشمس المباشر ومصادر الحرارة (الموقد، السخان، المبرد، إلخ). قد يؤثر ضوء الشمس المباشر على طلاء الأكريليك وقد تزيد مصادر الحرارة من استهلاك الكهرباء. درجة الحرارة المحيطة التي تقل عن 50 درجة فهرنهايت أو أعلى من 85 درجة فهرنهايت ستعيق أداء هذا الجهاز.
- هذه الوحدة غير مصممة للاستخدام في المراب أو أي تركيب خارجي آخر.
- تجنب وضع الثلاجة في المناطق الرطبة.
- قم بتوصيل الثلاجة بمأخذ حائط مخصص ومركب بشكل صحيح. لا تقم تحت أي ظرف من الظروف بقطع أو إزالة الشوكة الثالثة (الأرضي) من سلك الطاقة. يجب توجيه أي أسئلة تتعلق بالطاقة و/أو التأريض إلى كهربائي معتمد أو مركز خدمة معتمد.
- لم يتم تصميم هذه الوحدة ليمت تثبيتها في سيارة ترفيهيه أو استخدامها مع محمول.
- بعد توصيل الجهاز بمأخذ الحائط، قم بتشغيل الوحدة واركبها تبرد لمدة من 2 إلى 3 ساعات قبل وضع الطعام في الثلاجة أو حجرة التجميد.



تنبيهات

- ◆ يجب تأريض قابس ثلاثي القوائم مع مصهر 10 أمبير.
- لا يجب التأريض من خلال الأنابيب أو أسلاك الهاتف أو أنابيب الغاز.
- استخدام التيار الكهربائي غير المناسب قد يؤدي إلى تلف الجهاز وإصابة محتملة للمستخدم.
- يتم توضيح الفولطية الصحيحة على بطاقة الثلاجة، ويجب تثبيت مانوسات 300 واط أو أكثر إذا تم تجاوز هذا الجيد، اعتمادًا على الأوضاع.
- لا تستخدم أي مقيس أو قابس غير مناسب.
- لتجنب الأضرار التي يمكن أن تلحق بجزء حيوي، انتظر 5 دقائق على الأقل قبل إعادة التوصيل بعد انقطاع التيار الكهربائي.
- ◆ لا تستخدم مواد سامة، أو قابلة للاشتعال، أو مواد متفجرة أو كإوية (غاز ولاعة البروبان، والفراء، والنفط، والكحول، والتولوين وما إلى ذلك).
- ◆ حافظ على جسم الثلاجة من المياه ولا تضع حاويات الماء على الغطاء العلوي لتجنب حدوث صدمة كهربائية أو حريق.
- ◆ أغلق الصمام فورًا واقتح النوافذ للتهوية في حالة تسرب الغاز.
- يجب عدم لمس قابس الثلاجة لتجنب حدوث انفجار.
- ◆ لتجنب ميل الثلاجة لأسفل أو غيرها من الحوادث، من فضلك لا تسحب باب الثلاجة بعنف، أو السماح للأطفال بالتشبيث بالباب أو اللعب في الداخل.

◆ انقطاع التيار الكهربائي
افتح الباب بعدد قليل قدر الإمكان.
لا تضع أي طعام في الثلاجة أكثر من ذلك.



◆ عند التوقف عن الاستخدام لبعض الوقت.
ينبغي استخدام الثلاجات باستمرار. لتجنب التأثير على العمر الافتراضي، يجب الاستمرار في تشغيل الثلاجة حتى إذا لم يكن هناك مواد غذائية محفوظة.
افصل الثلاجة عند عدم استخدامها لفترة طويلة، وذلك لتجنب الصدمات الكهربائية أو الحريق الناتج عن تلف العزل.
قم بتجفيف الثلاجة من الداخل بمنشفة الطاولة. ضع الثلاجة في مكان تهوية بعد تجفيف الهواء.



◆ يُرجى فصل القابس بعيدًا عن مأخذ التوصيل في حالة عدم استخدامها لفترة طويلة.

◆ لا تضع الزجاجات في المجمد، لتجنب انكسارها عند تجميدها.

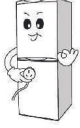


◆ كن حذرًا عند نقل الثلاجة.

يُرجى الرجوع إلى التعليمات المتعلقة بذلك في الكتيب.

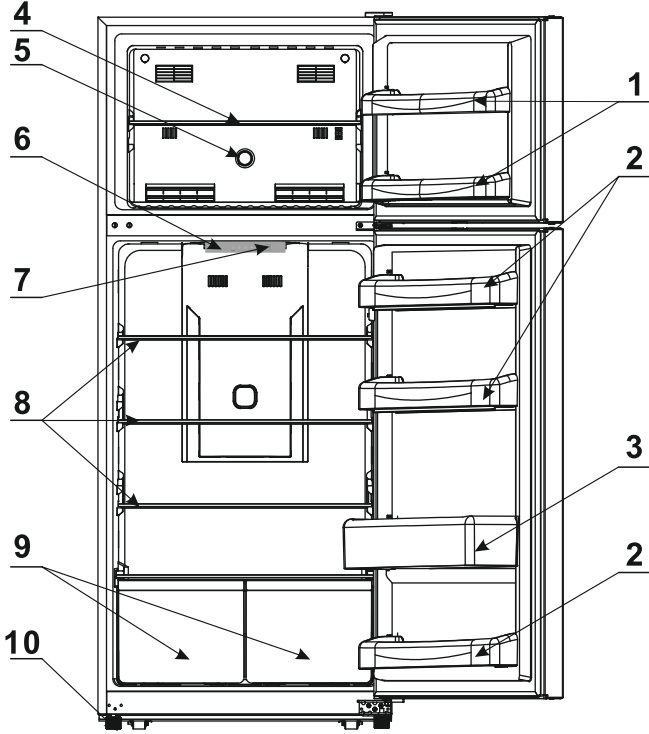


◆ امسك القابس بدلًا من الأسلاك عند فصل القابس.



◆ لا تقم بتشغيل أو توصيل الثلاجة بأيدي ممتلئة.

⚠ تحذير ⚠ : لا تدخل يدك إذا كانت مبللة داخل حجرة التجميد أو تلمس الأطعمة المجمدة التي بداخلها لأن ذلك قد يتسبب في شعورك بلسعة شديدة.



- | | |
|-----------------------|--------------------------------------|
| 2. صندوق الثلاجة | 1. صندوق المجمد |
| 4. رف المجمد | 3. رف الزجاجات |
| 6. غطاء اللبنة | 5. مقبض التحكم في درجة حرارة المجمد |
| 8. ارفف الثلاجة | 7. مقبض التحكم في درجة حرارة الثلاجة |
| 10. قدم لضبط الاستواء | 9. درج الخضروات |

تنبيه:
تختلف الملحقات من نوع لآخر. يُرجى الرجوع إلى قائمة التعبئة للحصول على التفاصيل.

الاستخدام

■ الثلجة

تتراوح درجة الحرارة في الثلجة بين 0 درجة مئوية إلى 10 درجات مئوية، والتي تناسب المحافظة على المواد الغذائية، مثل الخضروات والفواكه، لفترة قصيرة. قم بتحسين الحفظ والاستفادة الكاملة من المساحة عن طريق فرز الطعام. نموذج الفرز:

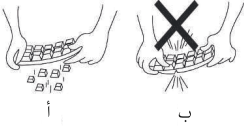
■ المجمد

تكون درجة الحرارة أقل من 18 درجة مئوية في المجمد، والتي تناسب الحفاظ على الاحتياجات الغذائية لفترة طويلة، مثل اللحوم والأسماك. العناصر التي تحتوي على السوائل لا يمكن أن توضع في المجمد. لا تقم بتخزين كمية كبيرة من المواد الغذائية في المجمد. تنبيه:

يجب إبقاء الأنباء التالية خارج المجمد: المشروبات السكرية والباردة الفورية في السوق (مثل الأمونيوم والنترات واليوربا).

■ عمل مكعبات الثلج

قم بسكب الماء المغلي البارد أو المشروبات في درج مكعبات الثلج التنظيف حتى تصل إلى 80 في المئة من الدرج. ثم ضع الدرج في المجمد. قم بإمالة الدرج قليلاً (كما في الشكل أ)، وتجنب إتلاف درج مكعبات الثلج من خلال الإفراط في القوة (كما في الشكل ب).



بك الخاص التبريد جهاز تشغيل

التحكم في درجة الحرارة حجرة الثلجة

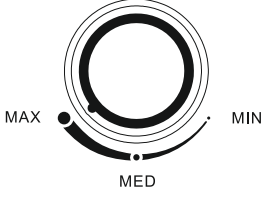


- يوجد زر التحكم في درجة حرارة التخزين البارد في الجزء العلوي من الغرفة الباردة ، اضغط على مفتاح ، "SET" يمكنك ضبط درجة حرارة التخزين البارد ؛ يقع زر التحكم في درجة حرارة التبريد في الجزء العلوي من حجرة الثلجة. اضغط على الزر "SET" لضبط درجة حرارة الثلجة ؛
- في المرة الأولى التي تقوم فيها بتشغيل الوحدة ، اضغط زر التحكم في درجة الحرارة على "5" وقم بتشغيله لمدة ساعتين على الأقل قبل وضع الأطعمة بالداخل ، فهذا سيضمن أن الخزانة مبردة تمامًا قبل وضع الطعام فيها.
- نطلق التحكم في درجة حرارة الثلجة من الموضع "1" الأكثر دفئًا إلى "5" الأكثر برودة. اضغط التحكم في درجة الحرارة على الإعداد الذي يناسب احتياجاتك. يجب أن يكون إعداد "3" مناسبًا للثلاجة المنزلي أو المكتب استعمال.

ملحوظة؛

- في حالة فصل الوحدة أو انقطاع الطاقة، انتظر لمدة 3 إلى 5 دقائق قبل تشغيلها مرة أخرى. إذا حاولت تشغيلها قبل انقضاء هذه المدة فلن تعمل الثلجة.
- إدخال كمية كبيرة من الأطعمة قد يقلل أداء الثلجة.
- لا تضع الأطعمة في مخرج الهواء وارك مساحه للتهوية.
- في حالة تغيير ضبط التيرموستات، اضغط مفتاح التحكم بالتدرج في كل مرة. اجعل فاصلًا زمنيًا كافيًا لاستقرار الحرارة قبل الضبط.
- ضبط مفتاح التحكم في درجة الحرارة داخل الثلجة سوف يؤثر على درجة الحرارة داخل الثلجة وبحجرة التجميد.

حجرة التلاجة



- يوجد مفتاح تحكم بدرجة الحرارة واحد بالتلاجة. تجد هذا المفتاح في الجزء الأوسط من حجرة التجميد.
- عند تشغيل التلاجة لأول مرة، قم بضبط مقبض التحكم في درجة الحرارة على "MAX" ودع التلاجة تعمل لمدة ساعتين (2) على الأقل قبل وضع الأطعمة بداخلها. هذا سيضمن التبريد داخل التلاجة بشكل كامل قبل وضع الأطعمة.
- تتراوح درجة حرارة المجمد من الوضع "MIN" والتي تمثل أعلى درجة سخونة إلى "MAX" والتي تمثل أعلى درجة برودة. اضبط المفتاح حسب درجة الحرارة التي تناسب احتياجاتك. يعتبر الوضع "MED" مناسبًا للاستعمالات المنزلية والمكتبية.

حجرة التجميد

- هذه الحجرة مصممة لحفظ الأطعمة المجمدة لفترة طويلة. يمكن حفظ الأطعمة في هذه الحجرة حتى 3 شهور.
- تتراوح فترة حفظ الأطعمة المبردة غير أنه لا ينبغي تجاوز فترة الحفظ الموصى بها.
- ضع الأطعمة المبردة في حجرة التبريد بأسرع ما يمكن بعد شرائها. في حالة وجود تعليمات للحفظ يُرجى اتباعها جيدًا.

تغيير لوحة الإضاءة

لا يمكن استبدال مصباح LED من قبل المستخدم ، في حالة تلف مصباح LED يرجى الاتصال بأقرب سلطة لاستبدالها.

العناية والصيانة

تنظيف الثلاجة

- عند تركيب ثلاجة جديدة يوصى بتنظيفها جيداً.
- اقلل الثلاجة أولاً ثم فصل الوحدة من المأخذ الكهربائي.
- قم بتفريغ كل الأطعمة من الثلاجة.
- قم بغسل داخل الثلاجة بقطعة قماش مبللة بماء فاتر ومحلول صودا الخبز. يجب أن تكون كمية صودا الخبز بمقدار معلقتين في ربع جالون ماء.
- تأكد من تنظيف حشوة القفل لضمان عمل الوحدة بصورة جيدة.
- يتم تنظيف الثلاجة من الخارج بمحلول تنظيف خفيف وماء دافئ.
- قم بتنشيف الثلاجة من الداخل والخارج بقطعة قماش ناعمة.
- يتم نظافة ملفات المكثف بالهواء إذا كانت متسخة.
- للحفاظ على النظافة الداخلية بدون رائحة أو انسحاق، يلزم التنظيف المنتظم مرة واحدة على الأقل في الشهر.

عند عدم التواجد بالمنزل

- قم بفصل الثلاجة أولاً ثم فك الوصلة من المأخذ الكهربائي.
- قم بتفريغ كل الأطعمة.
- قم بتنظيف الثلاجة.
- دع القفل مفتوحاً بعض الشيء لتفادي حدوث تكثف أو عفن أو روائح.
- كن حذراً جداً عند وجود أطفال. يجب عدم السماح للأطفال باللعب بالوحدة.
- الإجازات القصيرة: إذا كانت الإجازة أقل من ثلاثة أسابيع، فترك الثلاجة في وضع التشغيل.
- الإجازات الطويلة: إذا كانت الثلاجة لن تستعمل لفترة طويلة، فقم بتفريغ كل الأطعمة وافصل الكهرباء. نظف الثلاجة من الداخل والخارج جيداً. لمنع حدوث الروائح والعفن، اترك الباب مفتوحاً بعض الشيء إذا كان ذلك ضرورياً أو أزل الباب.

نقل الثلاجة

- قم بفصل الثلاجة أولاً ثم فك الوصلة من المأخذ الكهربائي.
- قم بتفريغ كل الأطعمة والنظف من درج مكعبات الثلج.
- قم بتثبيت كل الأجزاء المتحركة داخل الثلاجة.
- قم بإزالة حاجز الضاغط الموجود في الجزء الخلفي من الثلاجة ، وأخرج وعاء الماء الموجود أعلى الضاغط وأفرغ الماء.
- ضع شريطاً للتلأمين على جميع العناصر المفكوكة داخل ثلاجتك.
- ضع شريطاً على الباب وهو مقفول.
- تأكد من وضع الثلاجة بشكل مستقيم أثناء النقل.
- تأكد من عدم تلف الثلاجة أثناء النقل والتثبيت.

إرشادات لتوفير الطاقة

- يجب وضع الثلاجة في أكثر الأماكن برودة بالمنزل، بعيداً عن الأجهزة التي تولد الحرارة وبعيداً عن أشعة الشمس المباشرة.
- لا تضع الأطعمة الساخنة في الثلاجة إلا بعد أن تبرد تماماً. تحميل الثلاجة بقدار كبير من الأطعمة يجعل المكبس يعمل لفترة طويلة. قد تفقد الأطعمة التي تتبرّد بصورة بطيئة جودتها أو قد تفسد.
- تأكد من قفل الأطعمة جيداً ومسح الأوعية قبل وضعها داخل الثلاجة. هذا سيؤدي إلى عدم تكوين الثلج داخل الثلاجة.
- قم بوضع علامات على الأطعمة وترتيبها لتحاشي عملية البحث المطولة. خذ كل الأطعمة التي تحتاج إليها واقلل الباب بأسرع فرصة ممكنة.

دليل حل المشكلات

يمكن إصلاح العديد من أعطال التلاجة بنفسك مما يوفر عليك أجرة الصيانة. حاول اتباع الإرشادات التالية قبل استدعاء فني الصيانة.

المشكلة	السبب المحتمل
التلاجة لا تعمل	غير موصلة بالكهرباء الدائرة الكهربائية غير مكتملة أو تعطل المصير (الفيوز).
المكبس يفتح ويقفل بصورة متواترة	حرارة الغرفة أعلى من المعتاد وجود أطعمة كثيرة بالتلاجة. فتح الباب بصورة متكررة. عدم قفل الباب جيداً. لا توجد مساحة تهوية كافية. عدم ضبط مفتاح التحكم في درجة الحرارة بصورة صحيحة. حشوة قفل الباب لا تعمل جيداً. لا يوجد خلوص مناسب للتلاجة. تم قفل التلاجة في الفترة الأخيرة ولم تمر 4 ساعات من العمل المتواصل لكي تبرد تماماً.
درجة الحرارة داخل التلاجة دافئة كثيراً.	مفتاح التحكم في درجة الحرارة مضبوط على وضع دافئ. أدر المفتاح نحو وضع أكثر برودة وانتظر عدة ساعات حتى يستقر التبريد. تم ترك الباب مفتوحاً لفترة طويلة أو يتم فتحه بصورة متكررة. الهواء الساخن يدخل التلاجة كلما يتم فتح بابها. لا تفتح الباب كثيراً. الباب غير مقفل جيداً. حشوة قفل الباب لا تقفل بصورة صحيحة. قد يكون هنالك طعام ساخن أو دافئ تم حفظه مؤخراً. انتظر لإعطاء التلاجة الوقت الكافي للتبريد ووصول درجة التبريد المطلوب.
درجة الحرارة داخل التلاجة باردة جداً.	مفتاح التحكم في درجة الحرارة تم ضبطه على وضع بارد جداً. أدر مفتاح التحكم إلى وضع أكثر دفئاً وانتظر عدة ساعات لتصل الحرارة إلى التوازن المطلوب.
درجة الحرارة بسطح التلاجة من الخارج دافئة	قد تصل درجة حرارة التلاجة من الخارج حتى 30 درجة فهرنهايت أكثر من حرارة الغرفة. هذا الوضع طبيعي لأن المكبس يقوم بتحويل الحرارة من الداخل إلى الخارج.
حدوث صوت فرقعة أو تكسير عند عمل المكبس	الأجزاء المعدنية تتمدد وتتكسح كما هو الحال في أنابيب الماء الساخن. هذا أمر عادي. سوف تختفي هذه الأصوات بعد استقرار عمل التلاجة.
حدوث صوت فوران أو قرقعة عند عمل المكبس	مادة التبريد (التي تقوم بتبريد التلاجة) تدور في كل النظام. وهذا أمر عادي.
الاهتزاز	تأكد من وضع التلاجة في مكان مستو. السطح غير مستو أو ضعيف. التلاجة تلامس الأرض عند تحركها قليلاً. تأكد من أن الأرضية تتحمل التلاجة. ضع التلاجة في حالة استواء من خلال وضع خشب أو قطعة معدنية تحتها. التلاجة تلامس الحائط. أعد وضع التلاجة في مكان مستو وأبعداها عن الحائط. انظر "تعليمات التركيب".
تكوّن الضباب داخل أجزاء التلاجة	الطقس حار ورطب، مما يؤدي لزيادة تكوين الثلج بالداخل. هذا أمر عادي. الباب مفتوحاً بعض الشيء. تم ترك الباب مفتوحاً لفترة طويلة أو فتحه باستمرار. لا تفتح الباب كثيراً. الباب غير محكم القفل.
تكوّن الضباب بالأجزاء الخارجية للتلاجة	الباب مفتوحاً بعض الشيء، مما يسبب تلاقى الهواء البارد من داخل التلاجة بالهواء الدافئ بالخارج.
الباب لا يقفل بصورة صحيحة	التلاجة ليست في وضع مستوي. حشوة القفل غير نظيفة. سلة الحفظ خارج موضعها.

المواصفات الفنية

IXR-NR498GB	رقم الموديل
ST/T	نوعية المناخ
I	تصنيف الإنتاج للحماية من الصدمات الكهربائية
498	إجمالي حجم التخزين (لتر)
91	حجم تخزين الأغنية المجمدة (لتر)
375	حجم تخزين الأغنية الطارئة (لتر)
220-240~	الفولطية المقتردة (فولط)
50-60	التردد المقتن (هرتز)
1.2	التيار المقتر (أمبير)
150	الطاقة المقتردة (واط)
180	قوة إزالة الصقيع (واط)
R600a	المبرد
55	وزن المبرد (جرام)
Cyclopentane	منفط فورم
71	الوزن الصافي (كجم)
40	الضوضاء ديسيبل (أ)
708*665*1857	الأبعاد الكلية (مم) العرض*العمق*الارتفاع

ملاحظة

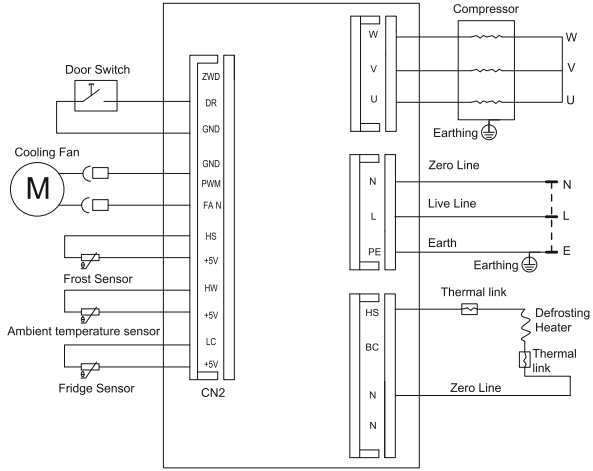
- * في حالة وجود تعارض في المعلمة، يجب أن تحكم اللوحة الموجودة في الجزء الخلفي من المنتج.
- * بخلاف الملاحظة الخاصة، فإن المعلمة في هذا الجدول قابلة للتطبيق أيضاً على الطرز المحسنة التالية.
- * يتم قياس استهلاك الطاقة في ظل الظروف القياسية.
- * يتم قياس فئة الطاقة وفقاً للمعايير الوطنية.

قائمة التحميل

IXR-NR498GB	الطراز
2	در الخضروات
5	رف
1	درج مكعبات الثلج
2	در البيض
6	رف البيض
1	الإرشادات

ملاحظة: إذا كان المنتج مجهزاً بصانع ثلج، فلا يوجد به درج مكعبات ثلج.

مخطط الرسم البياني



التخلص الصحيح من هذا المنتج:

لمنع الضرر المحتمل على البيئة أو صحة الإنسان من التخلص غير المنضبط من النفايات، قم بإعادة تدويرها بشكل مسؤول لتعزيز إعادة الاستخدام المستدام للموارد المادية. لإعادة جهازك المستخدم، يرجى استخدام أنظمة الإرجاع والتجميع أو الاتصال ببائع التجزئة الذي تم شراء المنتج منه. يمكنهم أخذ هذا المنتج لإعادة التدوير الآمن بيئيًا.



阿拉伯文说明书技术要求（此页不印刷）

大小：142*210mm

材质：封面128g铜版纸，内页80g双胶纸

存货编码：