

REFRIGERATOR

MODE

IXR-DS462



USER MANUAL



Dear Customer,

Thank you for choosing our products. We aim to ensure that you optimally and efficiently use this product produced in our modern facilities under environmentally friendly and precise conditions with respect to total sense of quality.

We advise you to read these operating manual thoroughly before using the refrigerator and keep it permanently so that the features of your refrigerator you have purchased will stay the same as the first day for a long time and serve in an optimum efficient way.

NOTE:

This Operating Manual is prepared for multiple models. Your appliance may not feature some functions specified in the manual. These functions are marked by the sign *. Always have your product installed and introduced by the authorized service.

Our appliances are intended for domestic use. It is not intended for commercial use.

"PLEASE READ THE MANUAL BEFORE INSTALLING
OR USING THIS PRODUCT."

This product has been produced in modern environment-friendly facilities without adversely affecting nature.

"Complies with WEEE Regulations"

CONTENT

1. SECTION

Safety Warnings..... 4

2. SECTION

Overview and Technical Specifications..... 8

Technical Table..... 10

Refrigerator Shelves and Drawers..... 11

3. SECTION

Installation and Initial Operation of Refrigerator..... 12

Operating the Device and Temperature Setting..... 14

4. SECTION

Usage of Refrigerator..... 15

Packing Food..... 15

Placing the Food..... 16

5. SECTION

Cleaning, Maintenance and Transportation of Refrigerator..... 18

What To Do Before Leaving For Holiday..... 20

6. SECTION

What To Do Before Calling For Authorized Service..... 21

7. Section

Compliance With WEEE Regulations and Waste Disposal
and Packaging Information..... 22

Warranty Certificate.....23



SAFETY WARNINGS

- 1.** Your refrigerator is set for 220-240 V 50 Hz mains power. Use of incompatible voltage may cause your refrigerator to become inoperable or fire.
- 2.** Do not place your refrigerator under direct sunlight or within influence area of a stove, radiator, furnace, oven, heater or infrared. Otherwise, your refrigerator may perform poorly, get damaged or become inoperable.
- 3.** Choose a place without moisture but with air circulation allowed.
- 4.** Clean inside of your product prior to first use.
- 5.** Do not allow children to get into the product or play around it.
- 6.** Do not place your hand under your refrigerator, a sharp corner or an edge may cause injury.
- 7.** For your safety, in order to eliminate the risk of electric shock and fire there must certainly be a breaker system with a residual current device in your electrical wiring. Our firm is not responsible for failures and losses which might occur as a result of using the product in an ungrounded mains.
- 8.** Do not place explosive or flammable materials in your refrigerator.



9. After putting your refrigerator into place, allow at least 6 hours without moving it before starting to use.

10. Your refrigerator is designed for indoor use. Do not use your product outdoor.

11. Installation, placement, maintenance and cleaning of your refrigerator should be as written in the manual. In case of damage to your refrigerator due to misuse, the warranty of the product will be invalidated.


12. After closing the your appliance's door, you may need to wait up to a minute to re-open it. Due to the vacuum effect by the cooling, opening the door may prove difficult.

13. In order to avoid your appliance from sliding or overturning, place the appliance on a non-tilted flat surface.

14. In case of a failure within your product, taking measures for food preserved within the refrigerator is fully under the user's responsibility. Our company is not responsible for spoiled food due to any technical failure or misuse.

15. Never use your refrigerator with an extension cord or multi socket.

16. Never use pressured water to clean. Pressured water may damage live-current parts.



17. Place the packaging material of the appliance where children cannot reach. Some packaging material (such as nylon, styrofoam, etc.) may be dangerous for children.

18. The appliance should not be used by physically, visually, audibly or mentally handicapped ones, children, non-experienced or non-informed ones without surveillance of a person responsible for the safety of such people.

19. Open the cabinet door only when necessary. Please make sure that the lid is sealed properly when it is not.

20. In the event of a sudden power outage unplug your product. Plug back in 20 minutes after you make sure that the mains become normal.

21. Do not place pets or wild animals in your product and do not allow them to enter. These kind of living creatures might damage the electrical system and cause fire.

22. It is not recommended to fill your refrigerator in full capacity in one time, the best method is partially loading your food. Since sufficient air flow can not be provided in loadings to the full capacity in one time, cooling level of your refrigerator should be set to maximum in full loading.

23. Do not let the food you have recently put in the freezer compartment of your refrigerator be in contact with frozen foods.



Caution!

● **This appliance includes inflammable and explosive gas R600A. The ventilation holes on the casing and the body of the appliance should not be blocked.**

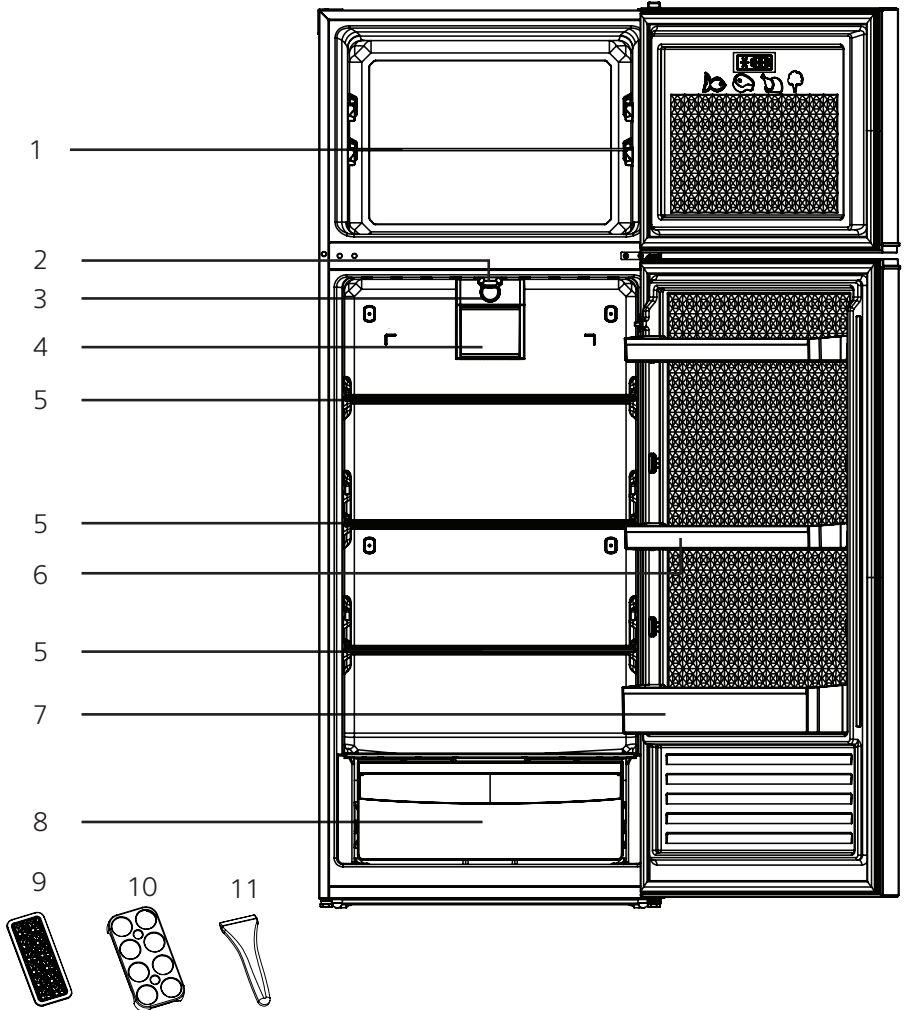
● **Do not use mechanical tools or other assemblies except the models recommended by the manufacturer to make defrosting quicker.**

● **The cooling circuit should not be damaged.**

● **Except materials recommended by the manufacturer, no electric appliances should be used within food preserving partition of the appliance.**

● **In order to decrease the risk of ignition, this appliance shall only be installed and maintained by a Sersim Authorized Service.**

2. SECTION OVERVIEW AND TECHNICAL SPECIFICATIONS



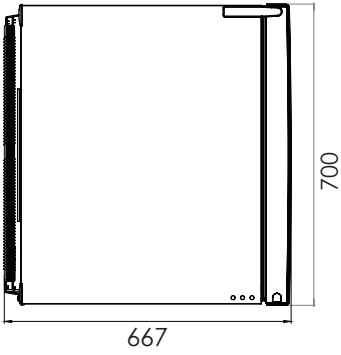
- 1.** Freezer Glass Shelf
- 2.** Light
- 3.** Thermostat Control Button
- 4.** Fan
- 5.** Cooler Glass Shelf
- 6.** Small Door Shelf

- 7.** Large Door Shelf
- 8.** Vegetable bin
- 9.** Freezer
- 10.** Egg Holder
- 11.** Ice Scraper

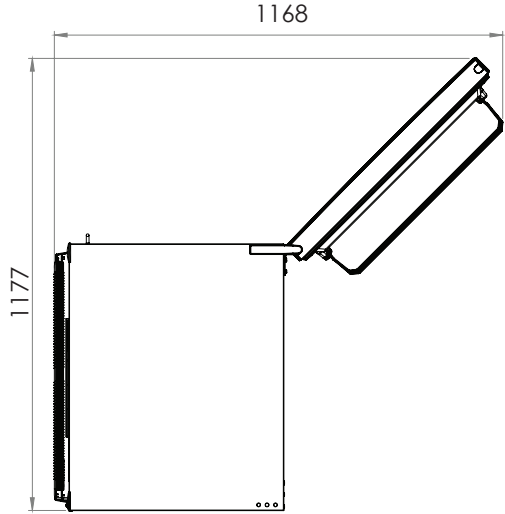
* This image may vary based on the products.

DIMENSIONS

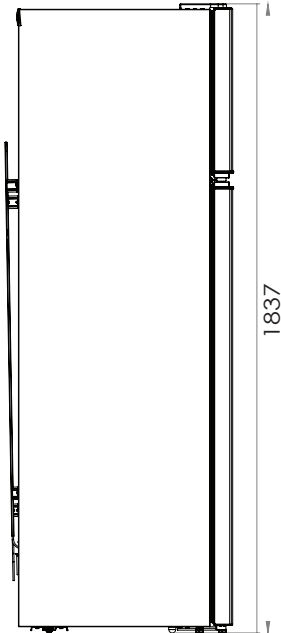
Width



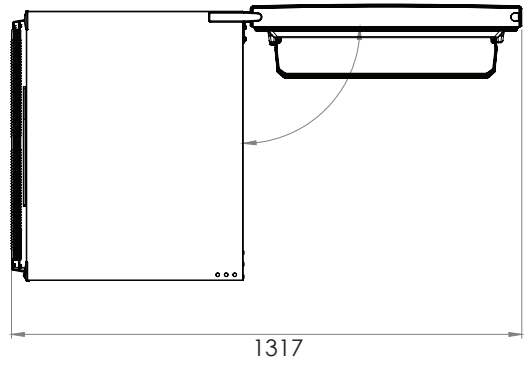
135° Door Open




Height



90° Door Open

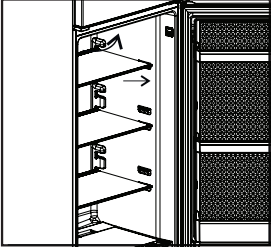


TECHNICAL TABLE

Brand	
Model	STR 4470 SS
Product Category	Household Refrigerator-Freezer
Coolant	R600a
Total Gross Volume (lt)	462
Total Net Volume (lt)	452
Star Class	
Cooling System	Static
*Climate Class	SN-T
Height (mm)	1835
Width (mm)	700
Depth (mm)	667
Gross Weight (kg)	70 Kg
Electric Input (V/Hz)	220-240V/ 50Hz

REFRIGERATOR SHELVES AND DRAWERS

Removal of Glass Shelves *



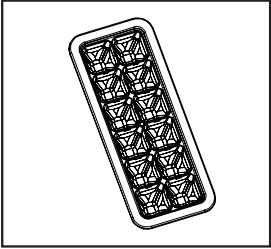
For being able to remove the glass shelves, first lift the back side, release from the locking system, pull it out and remove it in a controlled manner.

Removal of Drawer



Pull out the drawer completely, lift the front side upward and remove.

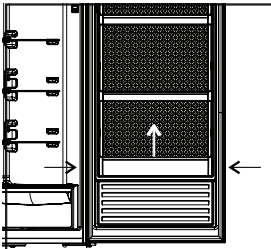
Ice Container



To produce ice cubes, use only drinking water.

- Remove the ice container fill it with drinking water.
- To remove the ice cubes from the ice container, place the container under running warm water and twist it.

Removal of Door Shelves *



Hold the door shelves from their right and left edges and pull them off simultaneously upwards from fixing mechanism as shown with the arrows on them.

3. SECTION

INSTALLATION AND INITIAL OPERATION OF YOUR REFRIGERATOR

1. Air circulation should be ensured at the rear area of your refrigerator for efficient use. At least 10 cm gap should be allowed at lateral and rear sides of your refrigerator.

2. Do not expose the product to direct sunlight or keep in damp environments.

3. Place the product on a flat surface to avoid vibration.

4. If you operate your refrigerator in conditions below 10°C or over 43°C, the functionality may not be at the desired level.

5. After completing installation, allow at least 2 hours without moving your product. Then, plug it into plug socket.

Electrical Connection

Our firm will not assume responsibility for any damages due to usage without earthing and power connection in compliance with national regulations.

- Do not use multi-group plug with or without extension cable between the wall socket and the refrigerator.
- Connect the refrigerator to an earthed socket with 220-240V/50 Hz voltage. The plug must comprise a 10-16A fuse.



The voltage and frequency of mains power should be the same as the values specified on the label on the inner surface of your appliance. If mains power is far below or above the specified value, have the desired voltage by using a voltage regulator. You can get help from a qualified electrician. The fuse of the mains socket should be maximum 16A.

Adjusting the Stands

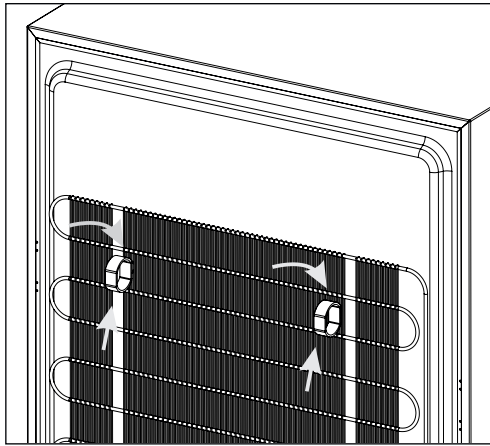
If the product is not in balanced position, adjust the front adjustable stands by rotating right or left.



Attaching the Plastic Wedges

Use the plastic wedge in the provided with the product to provide sufficient space for air circulation between the product and the wall.

- Place the 2 plastic wedges as shown below.



Changing The Opening Direction Of The Door

You can change the direction of opening of your refrigerator depending on the location where you use it. If you want to change the opening direction of the door, consult the closest Authorized Service.

Climate Class Description

Household type coolers and freezers have two climate classes as specified in the table below, based on EN62552 standard.

Climate Class	Acceptable ambient temperature
Class T	+16° C and 43° C
Class ST	+16° C and 38° C
Class N	+16° C and 32° C
Class SN	+10° C and 32° C

* Your purchased refrigerator has an SN-T climate class and manufactured to be operated in temperatures between 10° C and 43° C.

Operating the product out of the mentioned temperature range may cause performance losses.

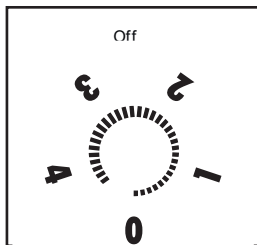
Operating the Device and Temperature Setting

Control Panel (Mechanic)

Select a location suitable for ambient temperature and areas of use.

* If you are going to store your food in your refrigerator for a short time, you can use the thermostat in 1-2 setting.

* If you are going to store your food in your refrigerator for longer periods, you can use the thermostat in 3/4 setting.



4. SECTION

USING THE FREEZER COMPARTMENT

- Before using your appliance, make sure the necessary preparations are made in line with the instructions in "Safety and Environment Instructions" and "Installation" sections.
- Keep the product running with no food inside for 6 and do not open the door, unless absolutely necessary.
- Do not overfill your product; blocking the internal air flow will reduce cooling capacity.

Caution! Do not place hot food and sealed bottles, sparkling drinks and items that are not meant to be frozen within the freezer compartment as they may explode.

Caution! Do not open the door during long power cuts in order to avoid heat loss.

PACKING FOOD

- In order to achieve the best results, follow the instructions below:
 1. Pack your food to ensure no air penetrating the package.
 2. Release the air by pressing on it.
 3. Firmly close the package.
 4. Check whether the package leaks.
 5. Note the content and the date on the package.

Before placing food in your refrigerator, firmly pack it so that it will not leak. Otherwise, food will lose taste and get dry. Pack food with appropriate packaging material such as aluminium foil, locked bag, plastic vessel etc.

Pack food by dividing it into portions for your daily or meal needs.

The temperature of food to be placed in the freezer compartment should not be higher than the room temperature. If it is overheated, some time should be allowed for temperature to decrease. Every package should be labelled (date of freezing, content, etc.).

Inappropriate Packages

Packaging papers, newspapers, cellophanes, trash bags, grocery bags, glass and metallic lid vessels, sharp and pointer metallic vessels, wooden pallets.

Ensure that fresh food does not contact with previously frozen food. If warm food contact with previously frozen food, the latter may thaw. Therefore, keep previously frozen food near edges or storing area of the freezer.

PLACING FOOD

Take the frozen food just before finishing shopping, and wrap packaging around them to preserve its temperature.

In case of a dramatic increase in temperature of packaged frozen food (e.g. in case of a long power cut or if the door is left open for a long time), keep the expiration date specified on the package short.

Follow the instructions attached on food packages. Unless otherwise stated, do not keep for longer than 3 months.

Do not re-freeze food just thawed or partially thawed and consume it in 24 hours.

For energy conservation, do not place hot food or drinks inside the appliance.

If you place food into your deep freeze without package or with improper or leaking packages, leaking liquid may lead to gas leakage on the pipes, plastic assembly getting pale or cracked and risk for hygienic conditions, formation of odour or micro-organisms which pose risk for health

Freezing Cooked Food

- You can place food cooked or fried by yourself into the freezer compartment of your refrigerator. However, do not place food that cannot be completely frozen such as boiled egg, potato or pasta into the refrigerator.

- You should slightly cook and, if appropriate, mix with spice and put in package the food you will place into your refrigerator.

- Foods that are consumed cool, such as cakes and milk desserts should be cooked and placed in the refrigerator in package.

- You can freeze such food without cooking but only after preparing and packing separately.

Thawing Frozen Food

To thaw food you take out of the freezer compartment of your refrigerator, you may use one of the following methods depending on type and purpose.

1. At room temperature
2. In microwave oven
3. At hot air field / in electric oven without fan
4. In fridge

NOTE: After thawing the frozen food, they may not have the texture or the consistency before being frozen. Never re-freeze thawed food.

TURNING OFF YOUR APPLIANCE

- Place the frozen food in the appliance where appropriate.
- Unplug the power cord from the mains socket.
- If you will not use the product for a long time, follow the following instructions, and clean and dry the appliance. Otherwise, moisture remaining on the walls of the appliance may cause frost deposit on the inner surface when the product is re-used. If you do not keep your appliance with its door open, it may release odour.

WARNING! If the product will be left indoor after turning off, do not cover the appliance with a plastic casing. A plastic material may cause your appliance release odour and sweat as it does not pass air through it. Sweating may cause rusting.



5. SECTION

CLEANING, MAINTENANCE AND TRANSPORTATION OF REFRIGERATOR

COOLER COMPARTMENT

Cooler performs a semi-automatic melting process. The water resulting from melting process passes through water collecting groove, flows to the evaporating dish and evaporates. (Evaporating dish is above the compressor.)

Periodically check if the opening on water collecting groove is blocked. If necessary, you can eliminate the blockage using a long and thin plastic object as shown in the figure.

Clean the water drainage pipe periodically by pouring half glass of water.

FREEZER COMPARTMENT

Deep freezer compartment does not have the function of melting for protection of frozen food. The ice formation should be periodically cleaned using the ice scraper supplied with your refrigerator. The ice formation in freezer compartment should be melted and cleaned at least once or twice a year.

For this purpose;

Bring the thermostat setting to level 4 one day before thawing to keep the frozen food cooler.

Wrap your food with newsprint and store them in the cooler compartment of your refrigerator. Do not open its door until the thawing is completed. This way you can prevent your frozen food from melting.

Unplug your refrigerator or bring the thermostat setting to level "0" and wait for the ice to melt.

You can remove the ices that start to thaw using the ice scoop. Never use pointed or sharp tools for this operation.

CLEANING AND AVOIDING BAD ODOURS

• The product is manufactured free of any odorous materials. However, keeping the food in inappropriate sections and improper cleaning of internal surfaces may lead to malodour. In order to prevent this problem:

- Clean the refrigerator with baking soda water every 15 days.
- Keep the foods in sealed holders. Microorganisms may spread out of unsealed food items and cause malodour.
- Do not keep expired and spoilt foods in the refrigerator

MAINTENANCE

The appliance does not require periodic maintenance.

Internal Cleaning

• Move your frozen food in the product to another freezer or to a cool environment to preserve their temperature.

• Before performing internal cleaning, wait until the temperature of the inner parts of the appliance increases up to the ambient temperature.

• Do wear protective gloves during cleaning and maintenance. This will protect you against injuries.

• Remove the accessories.

• Perform cleaning by using a soft cotton cloth and warm water.

• Dry it by using a dry cotton cloth. If it is not dried, it may turn black in time.

• Ensure that the inner surface is not wet or moist after cleaning.

• You can reload your food 3 hours after operating based on the type of operating specified within this manual.

• Clean the plastic parts inside the refrigerator with a cloth and soapy water. Use warm water as hot water can damage the plastic.

• Do not wash the plastic parts in a dish washer as hot liquids sprayed under high pressure can damage the parts.

External Cleaning

Clean by using cotton cloth and warm water. Avoid cleaning water from entering the front dashboard during cleaning. Clean the door seal using only clean soapy water.

Caution! Never use chemical agents such as commercial cleaning agents, scratching or abrading detergents, acids.

WHAT TO DO BEFORE LEAVING FOR HOLIDAY

If you will go for holiday for a short time;

Keep your refrigerator switched on.

If you will go for holiday for a long time;

- If you want to turn off your appliance, consume the preserved food and empty the refrigerator.
- Turn the product off and unplug from mains.
- After completing thawing operation, clean the inner surface and dry it completely.
- To prevent your appliance from releasing mould odour, leave the door open.

When transporting;

- 1.** Remove the plug from the outlet.
- 2.** Melt the ice.
- 3.** Wipe the inner surfaces and floor with a damp cloth.
- 4.** Insert the plastic supports between the top cover and the body.
- 5.** Transport it in the normal operating position.

6. SECTION

WHAT TO DO BEFORE CALLING FOR AUTHORIZED SERVICE

If the refrigerator does not operate;

- the door is closed properly,
- mains power is cut,
- the plug is plugged into a socket,
- the fuses blow,
- mains cord is broken.

If the compressor is permanently running, check if;

- the ambient temperature is over +43°C,
- the door is opened and closed too frequently,
- Thermostat setting button is set to excessive cold,
- There is a lack of air flow on the sides and behind the refrigerator.

If your refrigerator makes high noise, check if;

- Your refrigerator makes contact with furniture or a wall that may cause vibration.
- Ensure that your refrigerator stands firmly on the ground.

What to do in case of power cut

Get informed about the duration of the power cut. If it will not last more than 12 hours, you may leave your food in the appliance. Do not open the door within this period. If the power cut will last longer than 12 hours and your food in deep freezer compartment begin to thaw, you must use the food within 24 hours.

What is condensation?

If your refrigerator is placed into a moist and non-ventilated area where humidity is high (such as vault, garage), formation of moist under specific conditions is normal. Condensation may occur as water droplets in places where humidity is high.

This will not influence the operation of your refrigerator. In this case, all you need to do is wiping water droplets using a soft cloth.

If your refrigerator is still not running normally although you follow

the instructions given in the manual and you have checked as necessary, call for the authorized service.

Keep the door of the appliance close until the service technician arrives.

7. SECTION

COMPLIANCE WITH WEEE REGULATIONS AND WASTE DISPOSAL

1. This product does not contain the dangerous and prohibited materials indicated in “Waste Electrical and Electronic Equipment Control Regulation” published by Ministry of Environment and Urbanisation of the Republic of Turkey. Complies with AEEE Regulations.



2. This product was manufactured from recyclable and reusable high quality parts and materials. Therefore, do not dispose of this product with other domestic wastes at the end of its life cycle. Take it to a collection point for electrical and electronic equipment. You can ask your local administration about these collection points. You can help protect the environment and natural resources by delivering the used products for recycling. Before disposing of the product, remove the door of the product and unplug the power cord from the mains socket.

PACKAGE INFORMATION

The product's packaging is made of recyclable materials, in accordance with the National Legislation. Do not dispose of the packaging waste with the household waste or other wastes, dispose it to the packaging collection areas specified by local authorities.

Follow the instructions specified in the manual.

If the appliance is still not running normally despite checkouts you have made,

call for authorized service.

ثلاجة

الطراز

IXR-DS462



دليل المستخدم

عميلنا العزيز؛

شكرا لاختيارك منتجاتنا. نهدف إلى ضمان الاستخدام الأمثل والفعال لهذا المنتج الذي صنّع في منشآتنا الحديثة بدقة وفي ظل ظروف صديقة للبيئة في مع الانتباه للجودة بشكل عام. ننصحك بقراءة دليل التشغيل هذا جيدًا قبل استخدام الثلاجة والاحتفاظ به بشكل دائم حتى تظل ميزات الثلاجة كما هي في اليوم الأول لفترة طويلة وتعمل بكفاءة مثالية.

ملاحظة:

تم إعداد دليل التشغيل هذا لنماذج متعددة. قد لا يحتوي جهازك على بعض الوظائف المحددة في الدليل. يتم تمييز هذه الوظائف بعلامة *. يجب تركيب منتجك وتقديمه بواسطة الخدمة المعتمدة.

أجهزتنا مخصصة للاستخدام المنزلي. وليست مناسبة للاستخدام التجاري.

"يرجى قراءة الدليل بعناية قبل تركيب
أو استخدام هذا المنتج."

تم إنتاج هذا المنتج في مرافق حديثة صديقة للبيئة دون التأثير سلبيًا على البيئة.

"يتوافق مع لوائح نفايات المعدات الكهربائية والإلكترونية."

المحتوى

1. الأول

4..... تحذيرات السلامة

2. الثاني

8..... نظرة عامة والمواصفات الفنية
10..... جدول المواصفات الفنية
11..... أرفف وأدراج الثلاجة

3. الثالث

12..... التثبيت والتشغيل الأولي للثلاجة
14..... تشغيل الجهاز وإعدادات درجة الحرارة

4. الرابع

15..... استخدام الثلاجة
15..... تعبئة الأطعمة
16..... وضع الطعام

5. الخامس

18..... تنظيف وصيانة ونقل الثلاجة
20..... ما يجب القيام به قبل مغادرة المنزل لقضاء عطة

6. السادس

21..... ما يجب فعله قبل الاتصال بالخدمة المعتمدة

7. السابع

الامتثال للوائح نفايات المعدات الكهربائية والإلكترونية (WEEE) والتخلص من النفايات
ومعلومات التغليف
22.....

23..... شهادة الضمان

تحذيرات السلامة

1. تم ضبط ثلاجتك على طاقة التيار الكهربائي 220-240 فولت 50 هرتز. قد يؤدي استخدام الجهد غير المتوافق إلى تعطل الثلاجة أو نشوب حريق.
2. لا تضع الثلاجة بشكل معرض لأشعة الشمس المباشرة أو لتأثير الموقد أو المبرد أو الفرن أو السخان أو سخان الأشعة تحت الحمراء. بخلاف ذلك، قد تعمل الثلاجة بكفاءة سيئة أو تتلف أو تصبح غير صالحة للاستخدام.
3. اختر مكانًا خالٍ من الرطوبة ولكن يسمح بتدوير الهواء.
4. نظف المنتج من الداخل قبل الاستخدام الأولي.
5. لا تسمح للأطفال بالدخول إلى المنتج أو اللعب حوله.
6. لا تضع يدك تحت الثلاجة، فقد تتسبب الزاوية الحادة أو الحافة في حدوث إصابة.
7. بغرض سلامتك، من أجل القضاء على مخاطر الصدمة الكهربائية والحريق، يجب أن يكون هناك بالتأكيد نظام قاطع مع جهاز تيار متبقي في الأسلاك الكهربائية الخاصة بك. شركتنا ليست مسؤولة عن الأعطال والخسائر التي قد تحدث نتيجة لاستخدام المنتج في شبكة غير مؤرضة.
8. لا تضع مواد متفجرة أو قابلة للاشتعال في الثلاجة.

9. بعد وضع الثلاجة في مكانها، اتركها لمدة 6 ساعات على الأقل دون تحريكها قبل البدء في الاستخدام.

10. جهازك مصمم للاستخدام الداخلي. لا تستخدم الجهاز في الخارج.

11. يجب أن يتم تركيب الجهاز وتثبيته وصيانته وتنظيفه على النحو المنصوص عليه في الدليل. يصبح الضمان لاغياً في حالة حدوث تلف في جهازك بسبب سوء الاستخدام.

12. قد تحتاج إلى الانتظار لمدة دقيقة بعد إغلاق باب الثلاجة لإعادة فتحه. فقد يكون فتح الباب صعباً بسبب تأثير الشفط الناتج عن التبريد.

13. لتجنب انزلاق جهازك أو انقلابه، ضع الجهاز على سطح مستوٍ غير مائل.

14. في حالة حدوث عطل في منتجك، فإن اتخاذ الإجراءات اللازمة لحفظ الطعام داخل الثلاجة يقع تحت مسؤولية المستخدم بالكامل. شركتنا ليست مسؤولة عن الطعام الفاسد نتيجة أي عطل فني أو سوء استخدام.

15. لا تستخدم الثلاجة مع سلك تمديد أو مقبس متعدد.

16. لا تستخدم الماء المضغوط للتنظيف. قد يؤدي الماء المضغوط إلى إتلاف أجزاء التيار المباشر.

17. ضع مواد تغليف الجهاز في مكان لا يستطيع الأطفال الوصول إليه. قد تكون بعض مواد التغليف (مثل النايلون والستايروفوم وما إلى ذلك) خطيرة على الأطفال.

18. يجب عدم استخدام الجهاز من قبل المعاقين جسديًا أو بصريًا أو سمعيًا أو عقليًا أو الأطفال أو غير المتمرسين أو غير المطلعين دون مراقبة الشخص المسؤول عن سلامة هؤلاء الأشخاص.

19. افتح باب الخزانة عند الضرورة فقط. يرجى التأكد من أن الغطاء مغلق بشكل صحيح.

20. في حالة انقطاع التيار الكهربائي المفاجئ، افصل قابس المنتج. أعد توصيل الكهرباء بعد 20 دقيقة من التأكد من أن التيار الكهربائي أصبح طبيعيًا.

21. يحظر وضع أي حيوانات أليفة أو برية داخل المنتج، ولا تسمح لهم بالدخول فيه. قد يؤدي هذا النوع من الكائنات الحية إلى إتلاف النظام الكهربائي والتسبب في نشوب حريق.

22. لا يُنصح بملء ثلاجتك بكامل طاقتها مرة واحدة، فأفضل طريقة هي تحميل طعامك جزئيًا. نظرًا لأنه لا يمكن توفير تدفق هواء كافٍ في التحميلات بكامل طاقتها في وقت واحد، فيجب ضبط مستوى التبريد في ثلاجتك على الحد الأقصى أثناء التحميل الكامل.

23. لا تدع الطعام الذي قمت بوضعه مؤخرًا في حجرة التجميد بالثلاجة يلامس الأطعمة المجمدة.

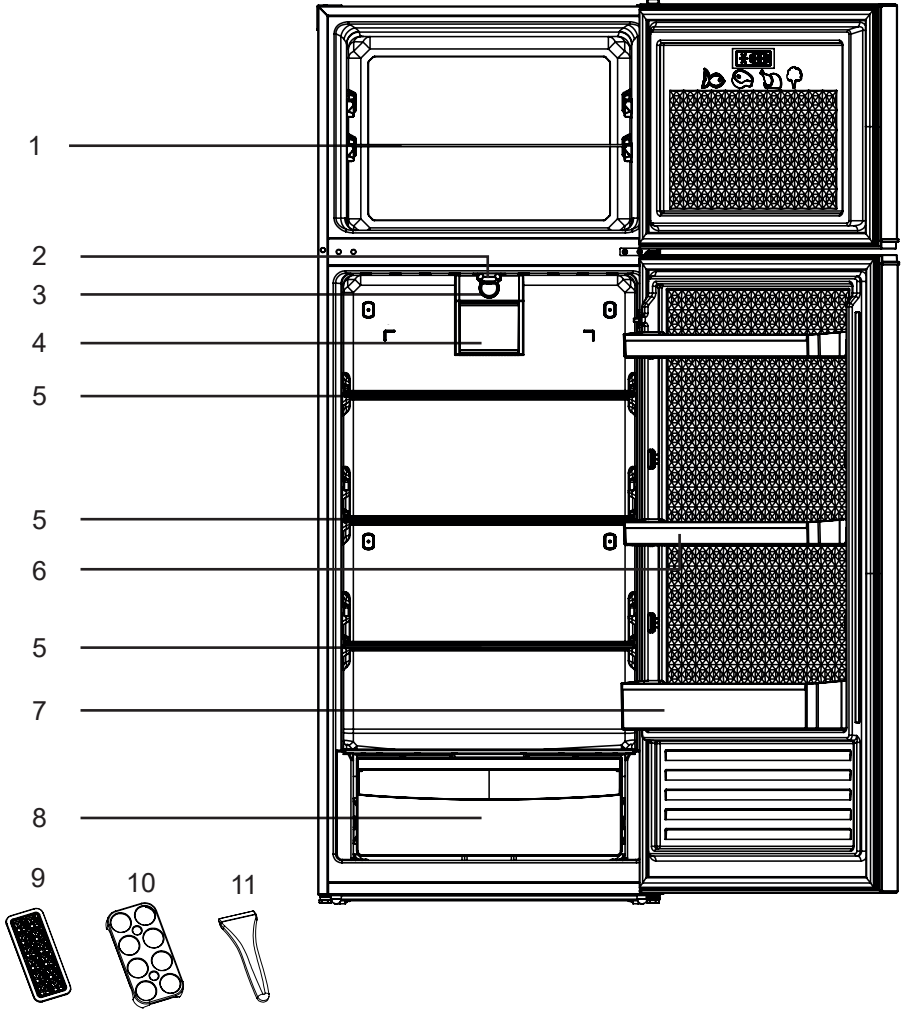


تنبيه!

- يشتمل هذا الجهاز على غاز قابل للاشتعال والانفجار R600a. • يجب الحفاظ فتحات التهوية الموجودة على الغلاف أو جسم الجهاز بشكل غير مسدود.
- لا تستخدم أدوات ميكانيكية أو آليات أخرى باستثناء تلك التي أوصى بها المصنع لتسريع عملية إزالة الجليد.
- يجب ألا تتلف دائرة التبريد.
- باستثناء المواد التي أوصت بها الشركة المصنعة، يجب عدم استخدام أي أجهزة كهربائية داخل قسم حفظ الطعام بالجهاز.
- لتقليل مخاطر الاشتعال، يجب فقط تركيب وصيانة هذا الجهاز بواسطة الخدمات المعتمدة.

2. الثاني

نظرة عامة والمواصفات الفنية

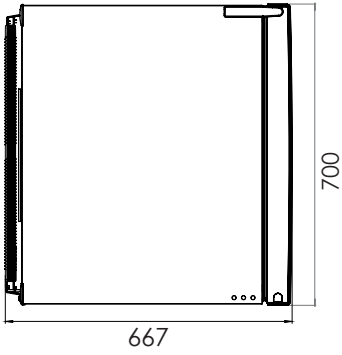


- 7. أرفف الباب الكبيرة
- 8. سلة الخضروات
- 9. المجمد
- 10. حامل البيض
- 11. مكشطة الجليد

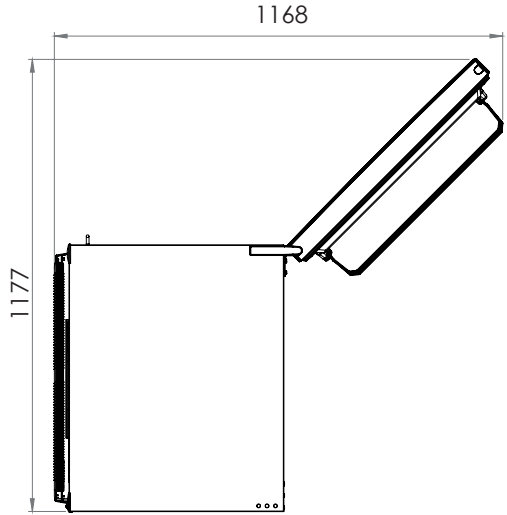
- 1. الرف الزجاجي للمجمد
- 2. الضوء
- 3. زر التحكم ومنظم الحرارة
- 4. المروحة
- 5. الرف الزجاجي للمبرد
- 6. رف باب صغير

* قد تختلف هذه الصورة بناءً على المنتجات.

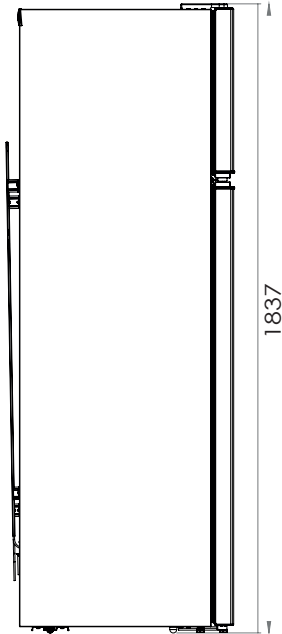
العرض



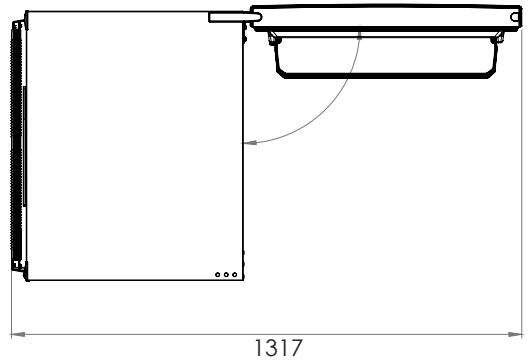
135 درجة فتح الباب



الارتفاع



90 درجة فتح الباب



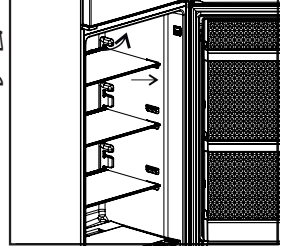
جدول المواصفات الفنية

	العلامة التجارية
STR 4470 SS	الطراز
منزلي ثلاجة - مجمد	فئة المنتج
R600a	سائل التبريد
462	إجمالي الحجم الكلي (لتر)
452	إجمالي الحجم الصافي (لتر)
	فئة النجمة
ثابت	نظام التبريد
SN-T	* فئة المناخ
1835	الارتفاع (مم)
700	العرض (مم)
667	العمق (مم)
70 كجم	الوزن الإجمالي (كجم)
220-240 فولت / 50 هرتز	المداخل الكهربائية (فولت / هرتز)

أرفف وأدراج الثلاجة

إزالة الأرفف الزجاجية *

لنتمكن من إزالة الأرفف الزجاجية، قم أولاً برفع الجانب الخلفي، وتحريره من نظام القفل، ثم اسحبه للخارج وقم بإزالته بطريقة يمكن التحكم فيها.



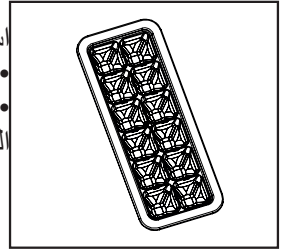
إزالة الدرج

اسحب الدرج للخارج تمامًا، وارفع الجانب الأمامي لأعلى ثم قم بإزالته.



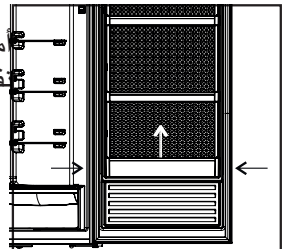
وعاء الثلج

- استخدم مياه الشرب فقط لصنع مكعبات ثلج.
- قم بإزالة وعاء الثلج واملأه بماء الشرب.
- لإزالة مكعبات الثلج من وعاء الثلج، ضع الوعاء تحت الماء الدافئ الجاري وقم بطيه.



إزالة أرفف الباب *

أمسك أرفف الأبواب من حافتيها اليمنى واليسرى واسحبها للأعلى في نفس الوقت من آلية التثبيت كما هو موضح بالأسهم الموجودة عليها.



التثبيت والتشغيل الأولي للثلاجة

1. يجب ضمان دوران الهواء في المنطقة الخلفية من الثلاجة للاستخدام الفعال. يجب ترك فجوة لا تقل عن 10 سم على الجانبين الجانبي والخلفي من الثلاجة.
2. لا تعرض المنتج لأشعة الشمس المباشرة ولا تضعه في بيئات رطبة.
3. ضع المنتج على سطح مستو لتجنب الاهتزاز.
4. قد لا تكون وظيفة الجهاز بالمستوى المطلوب إذا كنت تقوم بتشغيله في ظروف أقل من 10 درجات مئوية أو أكثر من 43 درجة مئوية.
5. بعد الانتهاء من التركيب، انتظر ساعتين على الأقل قبل نقل الجهاز. ثم قم بتوصيل القابس بمقبس التوصيل.

التوصيلات الكهربائية

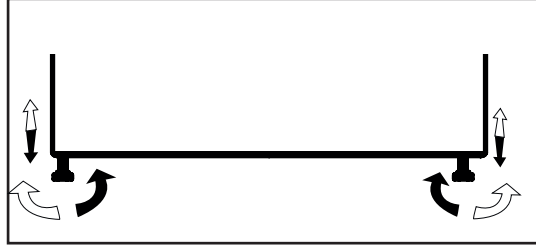
لن تتحمل شركتنا المسؤولية عن أي أضرار ناتجة عن الاستخدام بدون توصيلات أرضية ووصلة طاقة متوافقة مع اللوائح الوطنية.

- لا تستخدم قابس مجموعات متعددة مع أو بدون كابل تمديد بين مقبس الحائط والثلاجة.
- قم بتوصيل الثلاجة بمقبس مؤرض بجهد 240-220 فولت/50 هرتز. يجب أن يشتمل القابس على مصهر 10-16 أمبير.

يجب أن يكون الجهد والتردد لطاقة التيار الكهربائي نفس القيم المحددة على الملصق على السطح الداخلي لجهازك. إذا كانت الطاقة الرئيسية أقل أو أعلى بكثير من القيمة المحددة، فاحصل على الجهد المطلوب باستخدام منظم الجهد. يمكنك الحصول على المساعدة من كهربائي مؤهل. يجب أن يكون مصهر المقبس الرئيسي 16 أمبير بحد أقصى.

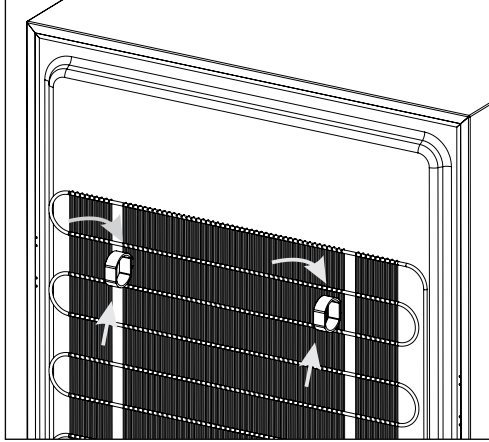
ضبط الحامل

إذا لم يكن المنتج في وضع متوازن، فاضبط الحامل الأمامي القابل للتعديل بالتدوير إلى اليمين أو اليسار.



تركيب الأسافين البلاستيكية

استخدم الإسفين البلاستيكي المرفق مع المنتج لتوفير مساحة كافية لتدوير الهواء بين المنتج والحائط. • ضع عدد 2 إسفينين بلاستيكي كما هو موضح أدناه.



تغيير اتجاه فتح الباب

يمكنك تغيير اتجاه فتح الثلاجة حسب المكان الذي تستخدمها فيه. إذا كنت ترغب في تغيير اتجاه فتح الباب، فاستشر أقرب خدمة معتمدة.

وصف فئة المناخ

تحتوي المبردات والمجمدات المنزلية على فئتين مناخيتين كما هو محدد في الجدول أدناه، بناءً على معيار EN62552.

فئة المناخ	درجة الحرارة المحيطة المقبولة
الفئة T	+ 16 درجة مئوية و 43 درجة مئوية
الفئة ST	+ 16 درجة مئوية و 38 درجة مئوية
الفئة N	+ 16 درجة مئوية و 32 درجة مئوية
الفئة SN	+ 10 درجة مئوية و 32 درجة مئوية

* تمتلك الثلاجة التي اشتريتها فئة مناخية SN-T ويتم تصنيعها لتشغيلها في درجات حرارة تتراوح بين 10 درجة مئوية و 43 درجة مئوية. قد يؤدي تشغيل المنتج خارج نطاق درجة الحرارة المذكورة إلى خسائر في الأداء.

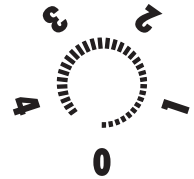
تشغيل الجهاز وإعدادات درجة الحرارة

لوحة التحكم (الميكانيكية)

اختر موقعًا مناسبًا لدرجة الحرارة المحيطة ومناطق الاستخدام.

* إذا كنت ستقوم بتخزين طعامك في ثلاجتك لفترة قصيرة، فيمكنك استخدام منظم الحرارة في إعداد 1-2.

* إذا كنت ستقوم بتخزين طعامك في ثلاجتك لفترات أطول، يمكنك استخدام منظم الحرارة في وضع 3/4.



استخدام حجرة المجمد

- تأكد قبل استخدام جهازك من إجراء الاستعدادات اللازمة بما يتماشى مع التعليمات الواردة في أقسام "تعليمات السلامة والبيئة" و"التركيب".
- استمر في تشغيل المنتج بدون طعام بالداخل لمدة 6 ولا تفتح الباب إلا في حالة الضرورة القصوى.
- لا تفرط في ملء الجهاز، حيث سيؤدي منع تدفق الهواء الداخلي إلى تقليل قدرة التبريد.
- تنبيه!** لا تضع الأطعمة الساخنة والزجاجات محكمة الغلق والمشروبات الفوارة والأشياء التي لا يجب تجميدها داخل حجرة المجمد لأنها قد تتفجر.
- تنبيه!** لا تفتح الباب أثناء انقطاع التيار الكهربائي لفترة طويلة لتجنب فقدان الحرارة.

تعبئة الأطعمة

- لتحقيق أفضل النتائج، اتبع التعليمات التالية:

1. قم بتغليف طعامك لضمان عدم اختراق الهواء للعبوة.
2. حرر الهواء بالضغط عليه.
3. أغلق الغلاف بإحكام.
4. تحقق مما إذا كانت العبوة تسرب.
5. تحقق من المحتوى والتاريخ على العبوة.

قم بتغليف الطعام بإحكام حتى لا يتسرب قبل وضعه في الثلاجة. بخلاف ذلك، سيفقد الطعام مذاقه ويجب. قم بتغليف الطعام بمواد تغليف مناسبة مثل رقائق الألومنيوم، والأكياس المغلقة، والأوعية البلاستيكية، إلخ.

قم بتغليف الطعام عن طريق تقسيمه إلى أجزاء تناسب احتياجاتك اليومية أو احتياجاتك الغذائية. يجب ألا تكون درجة حرارة الطعام الذي سيتم وضعه في حجرة المجمد أعلى من درجة حرارة الغرفة. وإذا كان ساخناً، فيجب السماح ببعض الوقت لخفض درجة حرارته. يجب وضع ملصق على كل عبوة (تاريخ التجميد، المحتوى، إلخ).

الأغلفة غير المناسبة

أوراق التغليف، الصحف، السيلوفان، أكياس القمامة، الأكياس البقالة، الأوعية الزجاجية والمعدنية ذات الأغشية، الأوعية المعدنية الحادة، المنصات الخشبية.

تأكد من أن الطعام الطازج لا يتلامس مع الأطعمة المجمدة بالفعل. حيث أنه إذا تلامس الطعام الساخن مع الطعام المجمد بالفعل، فقد يذوب الأخير. لذلك، احتفظ بالطعام المجمد بالفعل بالقرب من الحواف أو منطقة التخزين في المجمد.

وضع الأطعمة في الجهاز

خذ المواد الغذائية المجمدة قبل الانتهاء من التسوق مباشرة، ولفها بالغللاف للحفاظ على درجة حرارتها.

في حالة حدوث زيادة كبيرة في درجة حرارة الأطعمة المجمدة المغلفة (على سبيل المثال في حالة انقطاع التيار الكهربائي لفترة طويلة أو في حالة ترك الباب مفتوحًا لفترة طويلة)، فقم باستهلاك هذا المواد قبل انتهاء تاريخ صلاحيتها المدون على العبوة.

التزم باتباع التعليمات المدونة على أغلفة الأطعمة المجمدة. ولا تحتفظ بها لمدة تزيد عن 3 أشهر، ما لم ينص على خلاف ذلك.

يحظر إعادة تجميد الأطعمة المُذابة أو كليًا أو جزئيًا وينبغي استهلاكها خلال 24 ساعة.

لا تضع الأطعمة أو المشروبات الساخنة داخل الجهاز للحفاظ على الطاقة.

إذا قمت بوضع الطعام في المجمد العميق بدون تغليف أو في عبوات غير مناسبة أو بها تسريب، فقد يؤدي تسريب السائل إلى تسرب الغاز على الأنابيب، واصفرار الأجزاء البلاستيكية أو تشققها، وقد يؤدي ذلك إلى مخاطر صحية، وتشكل الرائحة أو الكائنات الحية الدقيقة خطرًا على الصحة.

تجميد الأطعمة المطبوخ

• يمكنك وضع الطعام المطبوخ أو المقلي بنفسك في حجرة التجميد بالثلاجة. ومع ذلك، لا تضع الأطعمة التي لا يمكن تجميدها تمامًا مثل البيض المسلوق أو البطاطس أو المعكرونة في الثلاجة.

• يجب أن تظهِره قليلاً، وإذا كان ذلك مناسباً، اخلطه مع التوابل ثم ضع الطعام الذي ستضعه في الثلاجة في عبوة تغليف.

• يجب طهي الأطعمة التي تستهلك باردة، مثل الكعك وحلويات الحليب، ووضعها في الثلاجة في عبوات تغليف.

• يمكنك تجميد هذه الأطعمة بدون طهي، ولكن فقط بعد تحضيرها وتعبئتها بشكل منفصل.

إذابة الأطعمة المجمدة

لإذابة الطعام الذي تخرجه من حجرة المجمد بالثلاجة، يمكنك استخدام إحدى الطرق التالية حسب النوع والغرض.

1. في درجة الحرارة المحيطة
2. في فرن الميكروويف
3. في منطقة هواء ساخن / في الأفران الكهربائية بدون مروحة
4. في الثلاجة

ملاحظة: بعد إذابة الطعام المجمد، قد لا يكون قوامه أو كثافته مثلما كان قبل تجميده. لا تقم أبدًا بإعادة تجميد الطعام المذاب.

إيقاف تشغيل جهازك

- ضع الطعام المجمد في الجهاز في المكان المناسب.
- افصل سلك الطاقة من مقبس التيار الكهربائي.
- إذا كنت لن تستخدم المنتج لفترة طويلة، فاتبع التعليمات التالية ونظف الجهاز وجففه. بخلاف ذلك، قد تتسبب الرطوبة المتبقية على جدران الجهاز في ترسب الصقيع على السطح الداخلي عند إعادة استخدام المنتج. إذا لم تُبقي باب الجهاز مفتوحًا، فقد تنبعث منه رائحة.

تحذير! إذا تم ترك الجهاز في مكان مغلق بعد إيقاف التشغيل، فلا تقم بتغطية بغلاف بلاستيكي. فقد تتسبب المواد البلاستيكية في عمل رائحة للجهاز وتعرقه لأنها لا تسمح بعبور الهواء. وقد يتسبب العرق في تشكل الصدا.

تنظيف وصيانة ونقل الثلاجة

حجرة المبرد

يقوم المبرد بعملية تدوير شبه تلقائية. يمر الماء الناتج عن عملية الصهر عبر أخدود تجميع الماء، ويتدفق إلى طبق التبخير ويتبخر. (طبق التبخير موجود فوق الضاغط).

تحقق بشكل دوري مما إذا كانت فتحة تجميع المياه مسدودة. إذا لزم الأمر، يمكنك إزالة الانسداد باستخدام جسم بلاستيكي طويل ورفيع كما هو موضح في الشكل.

قم بتنظيف أنبوب تصريف المياه بشكل دوري عن طريق سكب نصف كوب من الماء.

حجرة المجمد

حجرة المجمد العميق لا تحتوي على وظيفة الذوبان لحماية الأطعمة المجمدة. يجب تنظيف الجليد المتكون بشكل دوري باستخدام مكشطة الثلج المتوفرة مع ثلاجتك. يجب إذابة الجليد المتكون في حجرة المجمد وتنظيفه مرة أو مرتين على الأقل في السنة.

لهذا الغرض؛

قم بضبط إعدادات منظم الحرارة على المستوى 4 قبل يوم واحد من ذوبان الجليد للحفاظ على برودة الطعام المجمد.

لف طعامك بورق الصحف وقم بتخزينه في حجرة التبريد بالثلاجة. لا تفتح الباب حتى اكتمال الذوبان. بهذه الطريقة يمكنك منع الأطعمة المجمدة من الذوبان.

افصل ثلاجتك أو اضبط إعدادات منظم الحرارة على المستوى "0" وانتظر حتى يذوب الجليد.

يمكنك إزالة الثلج الذي يبدأ في الذوبان باستخدام مغرفة الثلج. لا تستخدم أبدًا أدوات مدببة أو حادة لهذه العملية.

التنظيف وتجنب الروائح الكريهة

- تم تصنيع المنتج من مواد خالية من الروائح. إلا أن الاحتفاظ بالطعام في أقسام غير ملائمة وتنظيف الأسطح الداخلية بطريقة خاطئة قد يتسبب بالروائح. ولمنع هذه المشكلة:
- تنظيف الثلاجة بماء صودا الخبز كل 15 يومًا.
- احتفظ بالأطعمة في عبوات مغلقة. قد تنتشر الميكروبات من الأطعمة غير المغلقة مسببة الروائح الكريهة.
- لا تترك الأطعمة التالفة ومنتهية الصلاحية في الثلاجة.

الصيانة

لا يتطلب الجهاز صيانة دورية.

التنظيف الداخلي

- انقل طعامك المجمد في المنتج إلى مجمد آخر أو إلى مكان بارد للحفاظ على درجة حرارته.
- قبل إجراء التنظيف الداخلي، انتظر حتى ترتفع درجة حرارة الأجزاء الداخلية للجهاز حتى درجة الحرارة المحيطة.
- قم دائمًا بارتداء القفازات الواقية أثناء التنظيف والصيانة. هذا سوف يحميك من الإصابات.
- قم بإزالة الملحقات.
- قم بالتنظيف باستخدام قطعة قماش قطنية ناعمة وماء دافئ.
- جففه باستخدام قطعة قماش قطنية جافة. إذا لم يجف، فقد يتحول إلى اللون الأسود في الوقت المناسب.
- تأكد من أن السطح الداخلي غير مبلل أو رطب بعد التنظيف.
- يمكنك إعادة تحميل طعامك بعد 3 ساعات من التشغيل بناءً على نوع التشغيل المحدد في هذا الدليل.
- يجب تنظيف الأجزاء البلاستيكية في الثلاجة بالماء والمنظفات باستخدام قطعة قماش. قد يؤدي استخدام ماء بدرجة حرارة عالية إلى إتلاف المواد البلاستيكية. لذلك، سيكون من المناسب غسله بالماء الدافئ.
- لغسل الأجزاء البلاستيكية، يرجى عدم وضعها في غسالة الأطباق. فقد تؤدي السوائل المضغوطة والساخنة إلى إتلاف الأجزاء.

التنظيف الخارجي

نظف باستخدام قطعة قماش قطنية وماء دافئ. تجنب دخول مياه التنظيف إلى الأجزاء الكهربائية والإضاءة الأمامية أثناء التنظيف. نظف حشية الباب باستخدام الماء والصابون النظيف فقط.

تنبيه! لا تستخدم أبدًا عوامل كيميائية مثل عوامل التنظيف التجارية ومنظفات الخدش والأحماض.

ما يجب القيام به قبل مغادرة المنزل لقضاء عطلة

إذا كنت ستذهب لقضاء عطلة لفترة وجيزة،
أبق ثلاجتك قيد التشغيل.

وإذا كنت ستذهب لقضاء عطلة لفترة طويلة،

- إذا كنت ترغب في إيقاف تشغيل جهازك، فسيتوجب عليك استهلاك الطعام المحفوظ وإفراغ الثلاجة.
- قم بإيقاف تشغيل المنتج وافصله من التيار الكهربائي.
- بعد الانتهاء من عملية الذوبان، نظف السطح الداخلي وجففه تمامًا.
- اترك الباب مفتوحًا لمنع جهازك من إطلاق رائحة العفن .

عند النقل،

1. قم بإزالة القابس من المقبس.
2. قم بإذابة الجليد.
3. امسح الأسطح الداخلية والأرضية بقطعة قماش مبللة.
4. أدخل الدعائم البلاستيكية بين الغطاء العلوي والجسم.
5. انقله في وضع التشغيل العادي.

ما يجب فعله قبل الاتصال بالخدمة المعتمدة

الثلاجة لا تعمل.

- الباب مغلق بشكل صحيح
- انقطاع التيار الكهربائي
- القابس متصل بالمقبس
- تلف المصاهر
- تلف سلك التيار الكهربائي.

إذا كان الضاغط يعمل بشكل دائم، فتتحقق مما يلي:

- تحقق من أن درجة حرارة الغرفة المحيطة لا تتجاوز 43 درجة مئوية،
- يتم فتح الباب وإغلاقه بشكل متكرر
- تم ضبط زر ضبط الترموستات على وضع البرودة المفرطة
- هناك نقص في تدفق الهواء على الجانبين وخلف الثلاجة

إذا كانت الثلاجة تصدر ضوضاء عالية، فتتحقق مما يلي:

- تتلامس الثلاجة مع الأثاث أو الحائط مما قد يسبب الاهتزاز
- تأكد من أن الجهاز يقف بثبات على الأرض.

ماذا تفعل في حال انقطاع الطاقة

احصل على معلومات حول مدة انقطاع التيار الكهربائي. فإن لم يكن سيستمر لمدة تتجاوز 12 ساعة، فيمكنك ترك الأطعمة داخل الجهاز. لا تفتح الباب خلال هذه الفترة. إذا استمر انقطاع التيار الكهربائي لفترة أطول من 12 ساعة وبدأ طعامك الموجود في حجرة المجمد العميق في الذوبان، فيجب عليك استخدام الطعام خلال 24 ساعة.

ما هو التكتيف؟

إن تكون الرطوبة في ظل ظروف معينة أمر طبيعي إذا تم وضع الثلاجة في منطقة رطبة وغير جيدة التهوية حيث تكون الرطوبة عالية (مثل القبو والجراج). وقد يحدث التكتيف على شكل قطرات ماء في الأماكن التي ترتفع فيها نسبة الرطوبة. لن يؤثر هذا على تشغيل ثلاجتك. في هذه الحالة، كل ما عليك فعله هو مسح قطرات الماء باستخدام قطعة قماش ناعمة.

إذا ظلت ثلاجتك لا تعمل بشكل طبيعي على الرغم من اتباعك للتعليمات الواردة في الدليل وقمت بالتحقق منها عند الضرورة، فاتصل بالخدمة المعتمدة. أبق على باب الجهاز مغلقًا حتى وصول فني الخدمة.

الامتثال للوائح نفايات المعدات الكهربائية والإلكترونية (WEEE) والتخلص من النفايات.



1. لا يحتوي هذا المنتج على المواد الخطرة والمحظورة المشار إليها في "لائحة نفايات المعدات الكهربائية والإلكترونية" المنشورة من قبل وزارة البيئة والعمارة في الجمهورية التركية. "يتوافق مع لائحة التطورات في الأجهزة الكهربائية والإلكترونية (AEEE)"

2. هذا المنتج مصنع من أجزاء ومواد عالية الجودة وقابلة لإعادة التدوير والاستخدام.

لذلك، لا تتخلص من هذا المنتج مع النفايات المنزلية الأخرى عند انتهاء عمره الافتراضي. ضعه في نقطة تجميع النفايات للأجهزة الكهربائية والإلكترونية. يمكنك أن تسأل إدارتك المحلية عن نقاط التجميع هذه. يمكنك المساعدة في حماية البيئة والموارد الطبيعية من خلال تقديم المنتجات المستخدمة لإعادة التدوير. قبل التخلص من المنتج، انزع باب المنتج وافصل سلك الطاقة من مقبس التيار الكهربائي.

معلومات العبوة

غلاف المنتج مصنوع من مواد قابلة للتدوير، طبقاً لأنظمة البيئة المحلية. لا تتخلص من نفايات التغليف مع النفايات المنزلية أو النفايات الأخرى، وتخلص منها في مناطق التجميع المحددة من قبل السلطات المحلية.

اتبع التعليمات المحددة في الدليل.

إذا كان الجهاز لا يزال لا يعمل بشكل طبيعي بالرغم من عمليات الضبط والفحص التي قمت بها،

اتصل بالخدمة المعتمدة.

