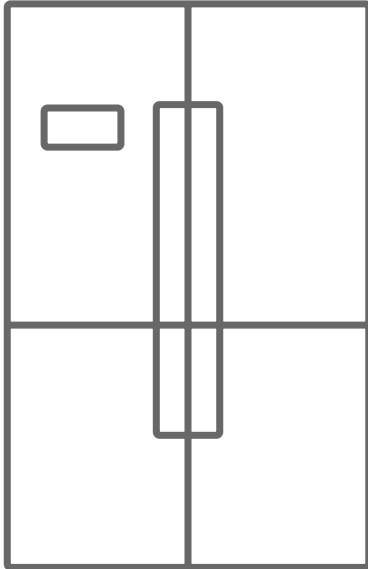




EN Fridge - Freezer / User Manual

ثلاجة - فريزر / دليل المستخدم اللغة العربية








iLK4R-V620W
iLK4R-V620SS
iLK4R-V620BX

Thank you for choosing this product.

This user manual contains important information on safety and instructions intended to assist you in the operation and maintenance of your appliance.

Please take the time to read this user manual before using your appliance and keep this book for future reference.

Icon	Type	Meaning
	WARNING	Serious injury or death risk
	RISK OF ELECTRIC SHOCK	Dangerous voltage risk
	FIRE	Warning; Risk of fire / flammable materials
	CAUTION	Injury or property damage risk
	IMPORTANT	Operating the system correctly

CONTENTS

1 SAFETY INSTRUCTIONS	4
1.1 General Safety Warnings	4
1.2 Installation warnings	8
1.3 Electrical information (For UK type plug).....	8
1.4 During Usage.....	9
2 DESCRIPTION OF THE APPLIANCE	10
3 USING THE APPLIANCE	11
3.1 Information about New Generation Cooling Technology	11
3.2 Display and Control Panel.....	11
3.2.1 Using the Control Panel.....	11
3.3 Operating Your Fridge Freezer	12
3.3.1 Super Cool Mode.....	12
3.3.2 Super Freeze Mode.....	12
3.3.3 Activating Economy Mode	12
3.3.4 Screen Saver Mode.....	12
3.3.5 Cooler Temperature Settings.....	12
3.3.6 Freezer Temperature Settings	13
3.3.7 Door Open Alarm Function	13
3.4 Temperature Settings Warnings	13
3.5 Accessories	14
3.5.1 Ice Tray (<i>In some models</i>).....	14
3.5.2 The Icematic (<i>In some models</i>)	14
3.5.3 The Storage Box.....	14
3.5.4 The Chill Drawer (<i>In some models</i>)	15
3.5.5 Natural Ion Tech (<i>In some models</i>).....	15
3.5.6 Ultrafresh (If available)	15
4 FOOD STORAGE	16
4.1 Refrigerator Compartment.....	16
4.2 Freezer Compartment	17
5 CLEANING AND MAINTENANCE	19
5.1 Defrosting	19
6 SHIPMENT AND REPOSITIONING	20
6.1 Transportation and Changing Positioning	20
7 BEFORE CALLING AFTER-SALES SERVICE	20
8 TIPS FOR SAVING ENERGY	22

1 SAFETY INSTRUCTIONS

1.1 General Safety Warnings

Read this user manual carefully.

⚠ WARNING: Keep ventilation openings, in the appliance enclosure or in the built-in structure, clear of obstruction.

⚠ WARNING: Do not use mechanical devices or other means to accelerate the defrosting process, other than those recommended by the manufacturer.

⚠ WARNING: Do not use electrical appliances inside the food storage compartments of the appliance, unless they are of the type recommended by the manufacturer.

⚠ WARNING: Do not damage the refrigerant circuit.

⚠ WARNING: When positioning the appliance, ensure the supply cord is not trapped or damaged.

⚠ WARNING: Do not locate multiple portable socket-outlets or portable power supplies at the rear of the appliance.

⚠ WARNING: In order to avoid any hazards resulting from the instability of the appliance, it must be fixed in accordance with the instructions.

⚠ If your appliance uses R600a as a refrigerant (this information will be provided on the label of the cooler) you should take care during transportation and installation to prevent the cooler elements from being damaged. R600a is an environmentally friendly and

natural gas, but it is explosive. In the event of a leak due to damage of the cooler elements, move your fridge away from open flames or heat sources and ventilate the room where the appliance is located for a few minutes.

- While carrying and positioning the fridge, do not damage the cooler gas circuit.
- Do not store explosive substances such as aerosol cans with a flammable propellant in this appliance.
- This appliance is intended to be used in household and domestic applications such as:
 - staff kitchen areas in shops, offices and other working environments.
 - farm houses and by clients in hotels, motels and other residential type environments.
 - bed and breakfast type environments;
 - catering and similar non-retail applications.
- If the socket does not match the refrigerator plug, it must be replaced by the manufacturer, a service agent or similarly qualified persons in order to avoid a hazard.
- A specially grounded plug has been connected to the power cable of your refrigerator. This plug should be used with a specially grounded socket of 13 amperes. If there is no such socket in your house, please have one installed by an authorised electrician.

- This appliance can be used by children aged from 8 years and above and persons with reduced physical, sensory or mental capabilities or lack of experience and knowledge if they have been given supervision or instruction concerning use of the appliance in a safe way and understand the hazards involved. Children shall not play with the appliance. Cleaning and user maintenance shall not be made by children without supervision.
- Children aged from 3 to 8 years are allowed to load and unload refrigerating appliances. Children are not expected to perform cleaning or user maintenance of the appliance, very young children (0-3 years old) are not expected to use appliances, young children (3-8 years old) are not expected to use appliances safely unless continuous supervision is given, older children (8-14 years old) and vulnerable people can use appliances safely after they have been given appropriate supervision or instruction concerning use of the appliance. Very vulnerable people are not expected to use appliances safely unless continuous supervision is given.
- If the supply cord is damaged, it must be replaced by the manufacturer, an authorised service agent or similar qualified persons, in order to avoid a hazard.
- This appliance is not intended for use at altitudes exceeding 2000 m.

To avoid contamination of food, please respect the following instructions:

- Opening the door for long periods can cause a significant increase of the temperature in the compartments of the appliance.
- Clean regularly surfaces that can come in contact with food and accessible drainage systems
- Store raw meat and fish in suitable containers in the refrigerator, so that it is not in contact with or drip onto other food.
- Two-star frozen-food compartments are suitable for storing pre-frozen food, storing or making ice cream and making ice cubes.
- One-, two- and three-star compartments are not suitable for the freezing of fresh food.
- If the refrigerating appliance is left empty for long periods, switch off, defrost, clean, dry, and leave the door open to prevent mould developing within the appliance.


1.2 Installation warnings

Before using your fridge freezer for the first time, please pay attention to the following points:


- The operating voltage for your fridge freezer is 220-240 V at 50Hz.
- The plug must be accessible after installation.
- Your fridge freezer may have an odour when it is operated for the first time. This is normal and the odour will fade when your fridge freezer starts to cool.
- Before connecting your fridge freezer, ensure that the information on the data plate (voltage and connected load) matches that of the mains electricity supply. If in doubt, consult a qualified electrician.
- Insert the plug into a socket with an efficient ground connection. If the socket has no ground contact or the plug does not match, we recommend you consult a qualified electrician for assistance.
- The appliance must be connected with a properly installed fused socket. The power supply (AC) and voltage at the operating point must match with the details on the name plate of the appliance (the name plate is located on the inside left of the appliance).
- We do not accept responsibility for any damages that occur due to ungrounded usage.
- Place your fridge freezer where it will not be exposed to direct sunlight.
- Your fridge freezer must never be used outdoors or exposed to rain.
- Your appliance must be at least 50 cm away from stoves, gas ovens and heater cores, and at least 5 cm away from electrical ovens.
- If your fridge freezer is placed next to a deep freezer, there must be at least 2 cm between them to prevent humidity forming on the outer surface.
- Do not cover the body or top of fridge freezer with lace. This will affect the performance of your fridge freezer.

- Clearance of at least 150 mm is required at the top of your appliance. Do not place anything on top of your appliance.
- Do not place heavy items on the appliance.
- Clean the appliance thoroughly before use (see Cleaning and Maintenance).
- Before using your fridge freezer, wipe all parts with a solution of warm water and a teaspoon of sodium bicarbonate. Then, rinse with clean water and dry. Return all parts to the fridge freezer after cleaning.
- Use the adjustable front legs to make sure your appliance is level and stable. You can adjust the legs by turning them in either direction. This must be done before placing food in the appliance.
- When the product is running, high temperature can be noticed on the side panels. This situation is normal.
- In order for the product to work efficiently, there must be some gap around it for air circulation. If you are going to place the product in a recessed area on the wall, make sure that the gap should be 100 mm between top surface and ceiling, 50 mm between walls and side panels.
- The distance between the appliance and back wall must be a maximum of 75 mm.

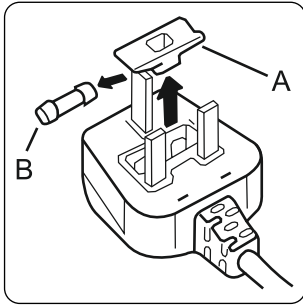
1.3 Electrical information (For UK type plug)

 **Warning!** This appliance must be earthed.

The mains lead of this appliance has been fitted with a specially earthed plug.

 **Important:** Do not use the appliance without the fuse cover in position. Should the fuse need to be replaced, it must be replaced with a 13A fuse, ASTA approved to BS1362.

The plug must be used with a specially earthed socket of 13 amperes. If there is no such socket in your house, please have one installed by an authorised electrician.



The mains lead of this appliance has been fitted with a BS 1363A 13A fused plug. To change a fuse in this type of plug, follow the steps below:

1. Remove the fuse cover and fuse.
2. Fit replacement 13A fuse, ASTA approved to BS 1362 type, into the fuse cover.
3. Replace fuse cover.

1.4 During Usage

- Do not connect your fridge freezer to the mains electricity supply using an extension lead.
- Do not use damaged, torn or old plugs.
- Do not pull, bend or damage the cord.
- Do not use plug adapter.
- This appliance is designed for use by adults. Do not allow children to play with the appliance or hang off the door.
- Never touch the power cord/plug with wet hands. This may cause a short circuit or electric shock.
- Do not place glass bottles or cans in the ice-making compartment as they will burst when the contents freeze.
- Do not place explosive or flammable material in your fridge. Place drinks with high alcohol content vertically in the fridge compartment and make sure their tops are tightly closed.
- When removing ice from the ice-making compartment, do not touch it. Ice may cause frost burns and/or cuts.

- Do not touch frozen goods with wet hands. Do not eat ice-cream or ice cubes immediately after they are removed from the ice-making compartment.
- Do not re-freeze thawed frozen food. This may cause health issues such as food poisoning.

Old and Out-of-order Fridges

- If your old fridge or freezer has a lock, break or remove the lock before discarding it, because children may get trapped inside it and may cause an accident.
- Old fridges and freezers contain isolation material and refrigerant with CFC. Therefore, take care not to harm environment when you are discarding your old fridges.

Disposal of your old appliance

The symbol on the product or on its packaging indicates that this product may not be treated as household waste. Instead it shall be handed over to the applicable collection point for the recycling of electrical and electronic equipment. By ensuring this product is disposed of correctly, you will help prevent potential negative consequences for the environment and human health, which could otherwise be caused by inappropriate waste handling of this product. For more detailed information about recycling of this product, please contact your local city office, your household waste disposal service or the shop where you purchased the product.



Packaging and the Environment

Packaging materials protect your machine from damage that may occur during transportation. The packaging materials are environmentally friendly as they are recyclable. The use of recycled material reduces raw material consumption and therefore decreases waste production.



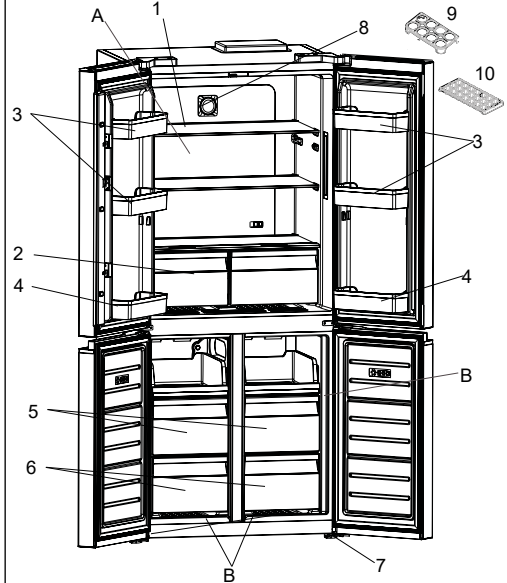
Notes:

- Please read the instruction manual carefully before installing and using your appliance. We are not responsible for the damage occurred due to misuse.
- Follow all instructions on your appliance and instruction manual, and keep this manual in a safe place to resolve the problems that may occur in the future.
- This appliance is produced to be used in homes and it can only be used in domestic environments and for the specified purposes. It is not suitable for commercial or common use. Such use will cause the guarantee of the appliance to be cancelled and our company will not be responsible for any losses incurred.
- This appliance is produced to be used in houses and it is only suitable for cooling / storing foods. It is not suitable for commercial or common use and/or for storing substances except for food. Our company is not responsible for any losses incurred by inappropriate usage of the appliance.

General Features of Your Appliance

1. The cooler and freezer compartments have separate air circulation systems due to our new No-Frost technology. This ensures that no odours pass between compartments, and vegetables remain fresh for longer periods.
2. The energy efficient fan maintains air circulation by running independently of the compressor. Thus, a uniform and balanced air circulation is created between cooler shelves.
3. Through specific air conduit design, the fans distribute cold air from multiple vents on all shelves in the cooler.
4. The appliance contains LEDs which gradually illuminate, rather than sudden bright lights. The LEDs reach 100% brightness within a few seconds after the door is opened.

2 DESCRIPTION OF THE APPLIANCE



This presentation is only for information about the parts of the appliance. Parts may vary according to the appliance model.

A) Fridge compartment

B) Freezer compartment

1. Fridge compartment shelves

2. Crispers

3. Door shelves

4. Door bottle shelves

5. Freezer top basket

6. Freezer bottom basket

7. Adjustable stays

8. Ioniser*

9. Egg holder

10. Ice box trays*

* In some models

3 USING THE APPLIANCE

3.1 Information about New Generation Cooling Technology

Fridges with new-generation cooling technology have a different operating system to static fridges. Other (static) fridges may experience a build up of ice in the freezer compartment due to door openings and humidity in the food. In such fridges, regular defrosting is required; the fridge must be switched off, the frozen food moved to a suitable container and the ice which has formed in the freezer compartment removed.

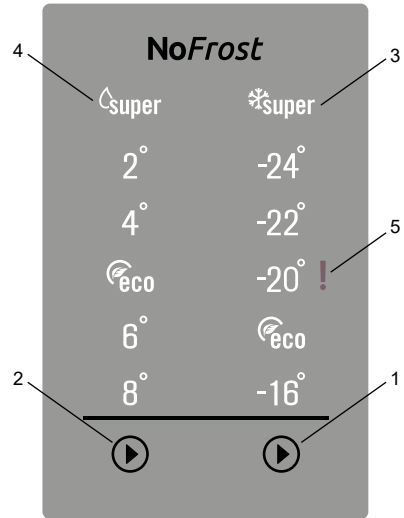
In fridges with new-generation cooling technology, a fan blows dry cold air evenly throughout the fridge and freezer compartments. The cold air cools your food evenly and uniformly, preventing humidity and ice build-up.

In the refrigerator compartment, air blown by the fan, located at the top of the refrigerator compartment, is cooled while passing through the gap behind the air duct. At the same time, the air is blown out through the holes in the air duct, evenly spreading cool air throughout the refrigerator compartment.

There is no air passage between the freezer and refrigerator compartments, therefore preventing the mixing of odours.

As a result, your fridge, with new-generation cooling technology, provides you with ease of use as well as a huge volume and aesthetic appearance.

3.2 Display and Control Panel



Using the Control Panel

1. It enables the setting value of freezer to be modified and super freeze mode to be activated if desired. Freezer may be set to -16, eco, -20, -22, -24 °C and Super freeze.
2. It enables the setting value of cooler to be modified and super cool mode to be activated if desired. Cooler maybe set to 8, 6, eco, 4, 2 °C and super cool.
3. It is super freeze indicator.
4. It is super cooling indicator.
5. Sr alarm indicator.

3.2.1 Using the Control Panel

Cooler Set Button

The cooler set button allows changes to be made to the temperature of the cooler compartment. Super cool and eco mode can also be activated using this button.

Freezer Set Button

The freezer set button allows changes to be made to the temperature of the freezer compartment. Super freezer and eco mode can also be activated using this button.

Sr Alarm

Sr alarm will change to red if any problems occur.

3.3 Operating Your Fridge Freezer

Lighting (If available)

When the product is plugged in for the first time, the interior lights may turn on 1 minute late due to opening tests.

3.3.1 Super Cool Mode

When would it be used?

- To cooling huge quantities of food.
- To cooling fast food.
- To cooling food quickly.
- To store seasonal food for a long time.

Activating Super Cool Mode

Push the cooler set button until the super cool symbol illuminates. The buzzer will sound twice and the mode will be set.

During Super Cool Mode

Super cool mode can be cancelled in the same way it is selected.

3.3.2 Super Freeze Mode

When would it be used?

- To freeze a large quantity of food that cannot fit on the fast freeze shelf.
- To freeze prepared foods.
- To freeze fresh food quickly to retain freshness.

Activating Super Freeze Mode

Push the freezer set button until the super freeze symbol illuminates. The buzzer will sound twice and the mode will be set.

During Super Freeze Mode

Super freeze mode can be cancelled in the same way it is selected.

3.3.3 Activating Economy Mode

Cooler compartment

- Press the cooler set button until the economy symbol illuminates.
- If no button is pressed for 1 second the mode will be set and the buzzer will sound twice as confirmation.
- To cancel, press the cooler set button.

Freezer compartment

- Press the freezer set button until the economy symbol illuminates.
- If no button is pressed for 1 second the mode will be set and the buzzer will sound twice as confirmation.
- To cancel, press the freezer set button.

3.3.4 Screen Saver Mode

Purpose

This mode saves energy by switching off all control panel lighting when the panel is left inactive.

How to Use

- Screen saver mode will be activated automatically after 30 seconds.
- If you press any key while the lighting of the control panel is off, the current machine settings will reappear on the display to let you make any change you wish.
- If you do not cancel the screen saving mode or press any key for 30 seconds, control panel will remain off.

To deactivate the screen saving mode,

- To cancel the screen saving mode, first of all, you need to press any key to activate the keys and then press and hold the freezer set button for 5 seconds.
- To reactivate screen saving mode, press and hold the freezer set button for 5 seconds.

3.3.5 Cooler Temperature Settings

- Press the cooler set button once.
- When you first press the button, the previous value will appear on the setting indicator of the cooler.
- Whenever you press this button, a lower temperature will be set (+8 °C, +6 °C, eco, +4 °C, +2 °C, or super cool).
- If you press the cooler set button until the super cool symbol appears on the cooler setting indicator, and do not press any buttons for 3 second, super cool will flash.
- If you continue to press the same button, it will restart from +8 °C.

3.3.6 Freezer Temperature Settings

- Press the freezer set button once.
- When you first press the button, the previous value will appear on the setting indicator of the freezer.
- Whenever you press this button, a lower temperature will be set (-16 °C, eco, -20 °C, -22 °C, -24 °C, or super freeze).
- If you press the freezer set button until the super freeze symbol appears on the freezer setting indicator, and do not press any buttons for 3 second, super freezer will flash.
- If you continue to press the same button, it will restart from -16 °C.

Recommended Settings for the Freezer and Cooler Compartment Temperature

Freezer Compartment	Cooler Compartment	Remarks
eco	4 °C	For regular use and best performance.
-20 °C, -22 °C or -24 °C	4 °C	Recommended when environmental temperature exceeds 30 °C.
Super (Super freeze mode)	4 °C	Must be used when you wish to freeze food in a short period of time.
eco, -20 °C, -22 °C or -24 °C	2 °C	These temperature settings must be used when the environmental temperature is high or if you think the refrigerator compartment is not cool enough because the door is being opened frequently.
eco, -20 °C, -22 °C or -24 °C	Super (Super cool mode)	Must be used when the refrigerator compartment is overloaded with food or when food needs to be cooled quickly.

3.3.7 Door Open Alarm Function

If fridge door is opened more than 2 minutes, appliance sounds 'beep beep'.

3.4 Temperature Settings Warnings

- Your appliance is designed to operate in the ambient temperature ranges stated in the standards, according to the climate class stated in the information label. It is not recommended that your fridge is operated in the environments which are outside of the stated temperature ranges. This will reduce the cooling efficiency of the appliance.
- Temperature adjustments should be made according to the frequency of door openings, the quantity of food kept inside the appliance and the ambient temperature in the location of your appliance.
- When the appliance is first switched on, allow it to run for 24 hours in order to reach operating temperature. During this time, do not open the door and do not keep a large quantity of food inside.
- A 5 minute delay function is applied to prevent damage to the compressor of your appliance when connecting or disconnecting to mains, or when an energy breakdown occurs. Your appliance will begin to operate normally after 5 minutes.

Climate class and meaning:

T (tropical): This refrigerating appliance is intended to be used at ambient temperatures ranging from 16 °C to 43 °C.

ST (subtropical): This refrigerating appliance is intended to be used at ambient temperatures ranging from 16 °C to 38 °C.

N (temperate): This refrigerating appliance is intended to be used at ambient temperatures ranging from 16 °C to 32 °C.

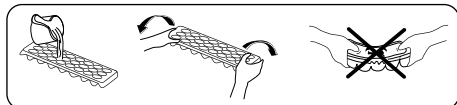
SN (extended temperate): This refrigerating appliance is intended to be used at ambient temperatures ranging from 10 °C to 32 °C.

3.5 Accessories

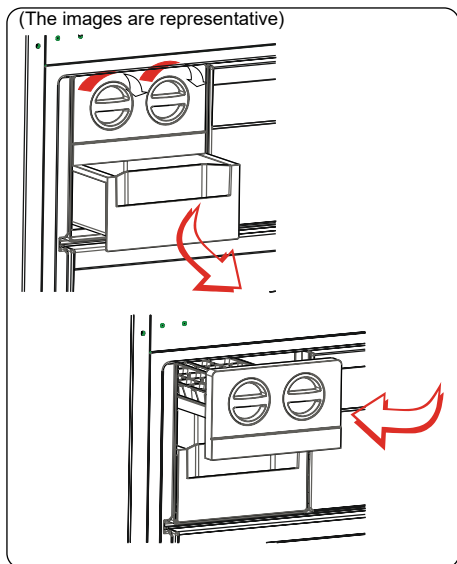
Visual and text descriptions in the accessories section may vary according to the model of your appliance.

3.5.1 Ice Tray (In some models)


- Fill the ice tray with water and place in the freezer compartment.
- After the water has completely frozen, you can twist the tray as shown below to remove the ice cubes.



3.5.2 The Icematic (In some models)



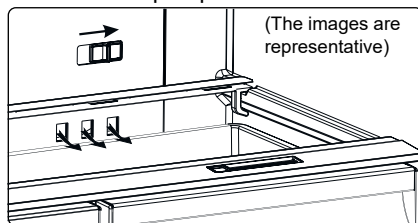
- Pull the lever towards you and remove the ice maker tray
- Fill with water to the marked level
- Hold the left end of the lever and set the ice-tray on the icebox
- When ice cubes have formed, twist the lever to drop the ice cubes into the icebox.

 **Do not fill the icebox with water in order to make ice. It will break.**

3.5.3 The Storage Box

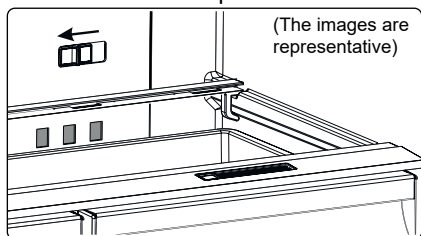
To use for chill drawer department:

If you want to use this compartment as a chill drawer, you must take the sliding cover (indicated in the picture) from the closed position to the open position.

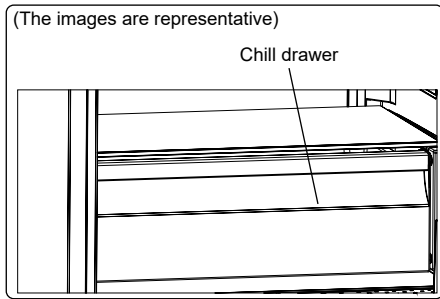


To use for Crisper department:

If you want to use this compartment as a Crisper, you must take the sliding cover (indicated in the picture) from the open position to the closed position.



3.5.4 The Chill Drawer (In some models)



Keeping food in the chill drawer, instead of the freezer or refrigerator compartments, allows food to retain freshness and flavour for longer, while preserving its fresh appearance. When the chill drawer tray becomes dirty, remove it and wash with water.

(Water freezes at 0°C, but food containing salt or sugar freezes at temperatures lower than this).

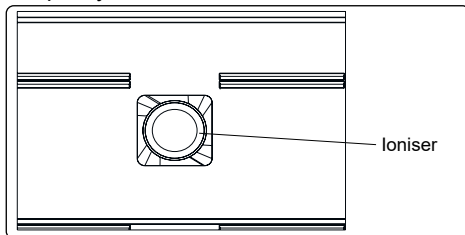
The chill drawer is usually used for storing foods such as raw fish, lightly pickled food, rice, and so on.

⚠ Do not put food you want to freeze or ice trays (to make ice) in the chill drawer.

3.5.5 Natural Ion Tech (In some models)

Natural Ion Tech spreads negative ions which neutralize particles of unpleasant smell and dust in the air.

By removing these particles from the air in the refrigerator, Natural Ion Tech improves air quality and eliminates odours.



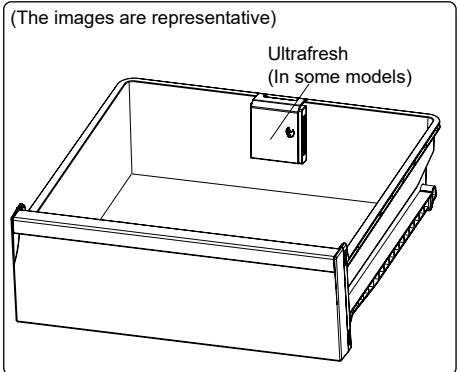
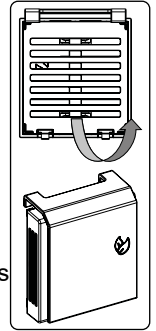
- This feature is optional. It may not exist on your product.
- The location of your ioniser device may vary from product to product.

3.5.6 Ultrafresh (If available)

Ultrafresh technology helps to remove ethylene gas (a volatile organic compound released naturally from fresh foods) and unpleasant odors from the crisper.

In this way, food stays fresh for a longer time.

- Ultrafresh must be cleaned once in a year. The filter should be waited for 2 hours at 65°C in a oven.
- To clean the filter, please remove the back cover of the filter box by pulling it in the direction of the arrow.
- The filter should not be washed with water or any detergent.



4 FOOD STORAGE

4.1 Refrigerator Compartment

For normal operating conditions, set the temperature of the cooler compartment to +4 or +6 °C.

- To reduce humidity and avoid the consequent formation of frost, always store liquids in sealed containers in the refrigerator. Frost tends to concentrate in the coldest parts of the evaporating liquid and, in time, your appliance will require more frequent defrosting.
- Cooked dishes must remain covered when they are kept in the fridge. Do not place warm foods in fridge. Place them when they are cool, otherwise the temperature/humidity inside the fridge will increase, reducing the fridge's efficiency.
- Make sure no items are in direct contact with the rear wall of the appliance as frost will develop and packaging will stick to it. Do not open the refrigerator door frequently.
- We recommend that meat and clean fish are loosely wrapped and stored on the glass shelf just above the vegetable bin where the air is cooler, as this provides the best storage conditions.
- Store loose fruit and vegetable items in the crisper containers.
- Storing fruit and vegetables separately helps prevent ethylene-sensitive vegetables (green leaves, broccoli, carrot, etc.) being affected by ethylene-releasing fruits (banana, peach, apricot, fig etc.).
- Do not put wet vegetables into the refrigerator.
- Storage time for all food products depends on the initial quality of the food and an uninterrupted refrigeration cycle before refrigerator storage.
- Water leaking from meat may contaminate other products in the refrigerator. You should package meat products and clean any leakages on the shelves.

- Do not put food in front of the air flow passage.
- Consume packaged foods before the recommended expiry date.

Do not allow food to come into contact with the temperature sensor, which is located in the refrigerator compartment, in order to keep the refrigerator compartment at optimum temperature.

- For normal working conditions, it will be sufficient to adjust the temperature setting of your refrigerator to +4 °C.
- The temperature of the fridge compartment should be in the range of 0-8 °C, fresh foods below 0 °C are iced and rotted, bacterial load increases above 8 °C, and spoils.
- Do not put hot food in the refrigerator immediately, wait for the temperature to pass outside. Hot foods increase the degree of your refrigerator and cause food poisoning and unnecessary spoiling of the food.
- Meat, fish, etc. should be stored in the chiller compartment of the food, and the vegetable compartment is preferred for vegetables. (if available)
- To prevent cross contamination, meat products and fruit vegetables are not stored together.
- Foods should be placed in the refrigerator in closed containers or covered to prevent moisture and odors.

The table below is a quick guide to show you the most efficient way to store the major food groups in your refrigerator compartment.

Food	Maximum storage time	How and where to store
Vegetables and fruits	1 week	Vegetable bin
Meat and fish	2 - 3 days	Wrap in plastic foil, bags, or in a meat container and store on the glass shelf
Fresh cheese	3 - 4 days	On the designated door shelf

Food	Maximum storage time	How and where to store
Butter and margarine	1 week	On the designated door shelf
Bottled products e.g. milk and yoghurt	Until the expiry date recommended by the producer	On the designated door shelf
Eggs	1 month	On the designated egg shelf
Cooked food	2 days	All shelves

NOTE:



Potatoes, onions and garlic should not be stored in the refrigerator.

4.2 Freezer Compartment

For normal operating conditions, set the temperature of the freezer compartment to -18 or -20 °C.

- The freezer is used for storing frozen food, freezing fresh food, and making ice cubes.
- Food in liquid form should be frozen in plastic cups and other food should be frozen in plastic folios or bags. For freezing fresh food; wrap and seal fresh food properly, that is the packaging should be air tight and shouldn't leak. Special freezer bags, aluminum foil polythene bags and plastic containers are ideal.
- Do not store fresh food next to frozen food as it can thaw the frozen food.
- Before freezing fresh food, divide it into portions that can be consumed in one sitting.
- Consume thawed frozen food within a short period of time after defrosting
- Always follow the manufacturer's instructions on food packaging when storing frozen food. If no information is provided food, should not be stored for more than 3 months from the date of purchase.


- When purchasing frozen food, make sure that it has been stored under appropriate conditions and that the packaging is not damaged.
- Frozen food should be transported in appropriate containers and placed in the freezer as soon as possible.
- Do not purchase frozen food if the packaging shows signs of humidity and abnormal swelling. It is probable that it has been stored at an unsuitable temperature and that the contents have deteriorated.
- The storage life of frozen food depends on the room temperature, the thermostat setting, how often the door is opened, the type of food, and the length of time required to transport the product from the shop to your home. Always follow the instructions printed on the packaging and never exceed the maximum storage life indicated.
- If the freezer door has been left open for a long time or not closed properly, frost will form and can prevent efficient air circulation. To resolve this, unplug the freezer and wait for it to defrost. Clean the freezer once it has fully defrosted.
- The freezer volume stated on the label is the volume without baskets, covers, and so on.
- Do not refreeze thawed food. It may pose a danger to your health and cause problems such as food poisoning.

NOTE: If you attempt to open the freezer door immediately after closing it, you will find that it will not open easily. This is normal. Once equilibrium has been reached, the door will open easily.



The table below is a quick guide to show you the most efficient way to store the major food groups in your freezer compartment.

Meat and fish	Preparation	Maximum storage time (months)
Steak	Wrap in foil	6 - 8
Lamb meat	Wrap in foil	6 - 8
Veal roast	Wrap in foil	6 - 8
Veal cubes	In small pieces	6 - 8
Lamb cubes	In pieces	4 - 8
Minced meat	In packaging without using spices	1 - 3
Giblets (pieces)	In pieces	1 - 3
Bologna sausage/salami	Should be kept packaged even if it has a membrane	1 - 3
Chicken and turkey	Wrap in foil	4 - 6
Goose and duck	Wrap in foil	4 - 6
Deer, rabbit, wild boar	In 2.5 kg portions or as fillets	6 - 8
Freshwater fish (Salmon, Carp, Crane, Catfish)	After cleaning the bowels and scales of the fish, wash and dry it. If necessary, remove the tail and head.	2
Lean fish (Bass, Turbot, Flounder)		4
Fatty fishes (Tuna, Mackerel, Bluefish, Anchovy)		2 - 4
Shellfish	Clean and in a bag	4 - 6
Caviar	In its packaging, or in an aluminium or plastic container	2 - 3
Snails	In salty water, or in an aluminium or plastic container	3

 **NOTE:** Thawed frozen meat should be cooked as fresh meat. If the meat is not cooked after defrosting, it must not be re-frozen.




Vegetables and Fruits	Preparation	Maximum storage time (months)
String beans and beans	Wash, cut into small pieces and boil in water	10 - 13
Beans	Hull, wash and boil in water	12
Cabbage	Clean and boil in water	6 - 8
Carrot	Clean, cut into slices and boil in water	12
Pepper	Cut the stem, cut into two pieces, remove the core and boil in water	8 - 10
Spinach	Wash and boil in water	6 - 9
Cauliflower	Remove the leaves, cut the heart into pieces and leave it in water with a little lemon juice for a while	10 - 12
Eggplant	Cut into pieces of 2cm after washing	10 - 12
Corn	Clean and pack with its stem or as sweet corn	12
Apple and pear	Peel and slice	8 - 10
Apricot and Peach	Cut into two pieces and remove the stone	4 - 6

Vegetables and Fruits	Preparation	Maximum storage time (months)
Strawberry and Blackberry	Wash and hull	8 - 12
Cooked fruits	Add 10 % of sugar to the container	12
Plum, cherry, sourberry	Wash and hull the stems	8 - 12

	Maximum storage time (months)	Thawing time at room temperature (hours)	Thawing time in oven (minutes)
Bread	4 - 6	2 - 3	4-5 (220-225 °C)
Biscuits	3 - 6	1 - 1,5	5-8 (190-200 °C)
Pastry	1 - 3	2 - 3	5-10 (200-225 °C)
Pie	1 - 1,5	3 - 4	5-8 (190-200 °C)
Phyllo dough	2 - 3	1 - 1,5	5-8 (190-200 °C)
Pizza	2 - 3	2 - 4	15-20 (200 °C)

Dairy products	Preparation	Maximum storage time (months)	Storage conditions
Packet (Homogenized) Milk	In its own packet	2 - 3	Pure Milk – in its own packet
Cheese - excluding white cheese	In slices	6 - 8	Original packaging may be used for short-term storage. Keep wrapped in foil for longer periods.
Butter, margarine	In its packaging	6	

5 CLEANING AND MAINTENANCE

-  Disconnect the unit from the power supply before cleaning.
-  Do not wash your appliance by pouring water on it.
-  Do not use abrasive products, detergents or soaps for cleaning the appliance. After washing, rinse with clean water and dry carefully. When you have finished cleaning, reconnect the plug to the mains supply with dry hands.
- Make sure that no water enters the lamp housing and other electrical components.
- The appliance should be cleaned regularly using a solution of bicarbonate of soda and lukewarm water.
- Clean the accessories separately by hand with soap and water. Do not wash accessories in a dish washer.

- Clean the condenser with a brush at least twice a year. This will help you to save on energy costs and increase productivity.



The power supply must be disconnected during cleaning.

5.1 Defrosting

Cleaning the evaporation bowl:

Your fridge defrosts automatically. Water produced by defrosting flows into an evaporation container, passing through a water collecting groove, where it vaporizes.

Replacing LED Lighting

To replace any of the LEDs, please contact the nearest Authorised Service Centre.




Note: The numbers and location of the LED strips may change according to the model.

6 SHIPMENT AND REPOSITIONING

6.1 Transportation and Changing Positioning

- The original packaging and foam may be kept for re-transportation (optional).
- Fasten your appliance with thick packaging, bands or strong cords and follow the instructions for transportation on the packaging.
- Remove all movable parts or fix them into the appliance against shocks using bands when re-positioning or transporting.

 Always carry your appliance in the upright position.

7 BEFORE CALLING AFTER-SALES SERVICE

Errors

Your appliance will warn you if the temperature(s) is/are at improper levels or if a problem occurs with the appliance.

SR Alarm indicator () is displayed in the control panel.

ERROR TYPE	(!) SR alarm indicator
MEANING	"Failure" Warning
WHY	There is/are some part(s) out of order or there is a failure in the cooling process. The product is plugged for the first time or a long-time power interruption for 1 hour.
WHAT TO DO	Check the door is open or not and check if the product working 1 hour. If the door is not open and the product had worked 1 hour, call service for assistance as soon as possible.

If you are experiencing a problem with your **appliance**, please check the following before contacting the after-sales service.

Your appliance is not operating

Check if:

- There is power
- The plug is correctly placed in the socket
- The plug fuse or the mains fuse has blown
- The socket is defective. To check this, plug another working appliance into the same socket.

The appliance performs poorly

Check if:

- The appliance is overloaded
- The appliance door is closed properly
- There is any dust on the condenser
- There is enough space near the rear and side walls.

Your appliance is operating noisily

Normal noises

Cracking noise occurs:

- During automatic defrosting

- When the appliance is cooled or warmed (due to expansion of appliance material).

Short cracking noise occurs: When the thermostat switches the compressor on/off.

Motor noise: Indicates the compressor is operating normally. The compressor may cause more noise for a short time when it is first activated.

Bubbling noise and splash occurs: Due to the flow of the refrigerant in the tubes of the system.

Water flowing noise occurs: Due to water flowing to the evaporation container. This noise is normal during defrosting.

Air blowing noise occurs: In some models during normal operation of the system due to the circulation of air.

The edges of the appliance in contact with the door joint are warm

Especially during summer (warm seasons), the surfaces in contact with the door joint may become warmer during the operation of the compressor, this is normal.

There is a build-up of humidity inside the appliance

Check if:

- All food is packed properly. Containers must be dry before being placed in the **appliance**.
- The **appliance** door is opened frequently. Humidity of the room enters the **appliance** when the doors are opened. Humidity increases faster when the doors are opened more frequently, especially if the humidity of the room is high.

The door does not open or close properly

Check if:

- There is food or packaging preventing the door from closing
- The door joints are broken or torn
- Your **appliance** is on a level surface.

The compressor can run loudly or the noise of the compressor/refrigerator may increase in some models during operating in some conditions such that the product is plugged in for the first time, depending on change in the ambient temperature or change of usage. That is normal; when the refrigerator reaches the required temperature, the noise decreases automatically.

Recommendations

- If the appliance is switched off or unplugged, wait at least 5 minutes before plugging the appliance in or restarting it in order to prevent damage to the compressor.
- If you will not use your appliance for a long time (e.g. in summer holidays) unplug it. Clean your appliance according to chapter cleaning and leave the door open to prevent humidity and smell.
- If a problem persists after you have followed all the above instructions, please consult the nearest authorised service centre.
- The appliance you have purchased is designed for domestic use only. It is not suitable for commercial or common use. If the consumer uses the appliance in a way that does not comply with this, we emphasise that the manufacturer and the dealer will not be responsible for any repair and failure within the guarantee period.

8 TIPS FOR SAVING ENERGY

1. Install the appliance in a cool, well-ventilated room, but not in direct sunlight and not near a heat source (such as a radiator or oven) otherwise an insulating plate should be used.
2. Allow warm food and drinks to cool before placing them inside the appliance.
3. Place thawing food in the refrigerator compartment if available. The low temperature of the frozen food will help cool the refrigerator compartment while the food is thawing. This will save energy. Frozen food left to thaw outside of the appliance will result in a waste of energy.
4. Drinks or other liquids should be covered when inside the appliance. If left uncovered, the humidity inside the appliance will increase, therefore the appliance uses more energy. Keeping drinks and other liquids covered helps preserve their smell and taste.
5. Avoid keeping the doors open for long periods and opening the doors too frequently as warm air will enter the appliance and cause the compressor to switch on unnecessarily often.
6. Keep the covers of the different temperature compartments (such as the crisper and chiller if available) closed.
7. The door gasket must be clean and pliable. In case of wear, replace the gasket.

8 نصائح لتوفير الطاقة

1. قم بتركيب الجهاز في غرفة باردة جيدة التهوية وليست معرضة لأشعة الشمس المباشرة وليس بالقرب من مصدر للحرارة (مثل المبرد أو الفرن) وإلا يجب استخدام لوحة عازلة.
2. اترك الطعام والمشروبات الساخنة حتى تبرد قبل وضعها داخل الجهاز.
3. ضع الطعام المُذاب في مقصورة الثلجة، إن وجدت. فإن درجة الحرارة المنخفضة للمواد الغذائية المجمدة ستساعد على تبريد مقصورة الثلجة أثناء إذابتها. وهذا سيوفر الطاقة. سيؤدي الطعام المجمد المتروك ليذوب خارج الجهاز إلى إهدار الطاقة.
4. يجب تغطية المشروبات أو السوائل الأخرى عندما تكون داخل الجهاز. إذا لم يتم تغطيتها، ستزداد الرطوبة داخل الجهاز، وبالتالي فإن الجهاز سيستخدم المزيد من الطاقة. كما أن تغطية المشروبات والسوائل الأخرى تساعد في الحفاظ على راحتها وطعمها.
5. تجنب إبقاء الأبواب مفتوحة لفترات طويلة وفتح الأبواب بمعدل متكرر للغاية، إذ إن الهواء الدافئ سيدخل الجهاز ويتسبب في تشغيل الضاغط في كثير من الأحيان دون داع.
6. احرص على إغلاق أغطية المقصورات ذات درجات الحرارة المختلفة (الدرج الحافظ للأغذية، وحدة التبريد إن وجدت).
7. يجب أن تكون سداة الباب نظيفة ومرنة. في حالة التلف، استبدل السداة.

يحدث **ضوضاء تدفق المياه**: بسبب تدفق المياه إلى حاوية التخزين. يكون ذلك الضوضاء طبيعي أثناء إزالة الثلج.

يصدر صوت يُشبه هبوب الرياح: في بعض الطرازات أثناء التشغيل العادي للنظام بسبب دوران الهواء.

حواف الجهاز التي تلامس مفصل الباب دافئة
خلال فصل الصيف (المواسم الدافئة)، قد تصبح الأسطح الملامسة لمفصل الباب أكثر دفئًا أثناء تشغيل الضاغط، وهذا أمر طبيعي.

هناك تراكم للرطوبة داخل الجهاز

تحقق مما يلي:

- جميع الأطعمة معبأة بشكل صحيح. يجب أن تكون الحاويات جافة قبل وضعها داخل **الجهاز**.
- يتم فتح باب **الجهاز** بشكل متكرر. تدخل رطوبة الغرفة إلى **الجهاز** عند فتح الأبواب. تزداد الرطوبة بشكل أسرع عند فتح الأبواب بشكل متكرر، وخاصة إذا كانت نسبة الرطوبة في الغرفة مرتفعة.

الباب لا يفتح أو يغلق بشكل صحيح

تحقق مما يلي:

- هناك طعام أو عبوة تمنع الباب من الإغلاق
 - مفصلات الأبواب تالفة أو ممزقة
 - الجهاز **الخاص بك** على سطح مستو.
- يمكن أن يصدر الضاغط صوتًا مرتفعًا أثناء اشتغاله، أو يمكن أن يرتفع صوت ضوضاء الضاغط/الثلجة مع بعض النماذج أثناء التشغيل وفي بعض مثل حالة ربط المنتج بالكهرباء لأول مرة، وذلك مرتبط بتغير في درجة الحرارة المحيطة أو تغير في الاستعمال. هذا أمر عادي ؛ عندما تصل درجة حرارة الثلجة إلى المستوى المطلوب، ينخفض صوت الضوضاء تلقائيًا.

التوصيات

- إذا تم إيقاف تشغيل الجهاز أو نزع القابس، فعليك الانتظار لمدة 5 دقائق على الأقل قبل توصيل الجهاز بالطاقة أو إعادة تشغيله كي لا يتلف الضاغط.
- إذا كنت لن تستخدم جهازك لفترة طويلة (على سبيل المثال طوال العطلة الصيفية)، فقم بفصله عن التيار الكهربائي. عليك تنظيف الجهاز وفقًا لفصل التنظيف وترك الباب مفتوحًا لمنع الرطوبة والرائحة.
- إذا استمرت المشكلة بعد اتباع جميع التعليمات أعلاه، يرجى استشارة أقرب مركز صيانة معتمد.
- الجهاز الذي اشتريته مصمم للاستخدام المنزلي فقط. فهو غير مناسب للاستخدام التجاري أو المشترك. إذا استخدم المستهلك الجهاز بطريقة لا تتوافق مع هذه التعليمات، فنحن نؤكد أن الجهة المصنعة والتاجر لن يتحملا مسؤولية أي إصابات أو أعطال خلال فترة الضمان.

الأخطاء

سيحذرَك الجهاز إذا كانت درجة/درجات الحرارة عند مستويات غير مناسبة أو إذا حدثت مشكلة مع الجهاز. يتم عرض مؤشر الإنذار SR (!) في لوحة التحكم.

نوع الخطأ	(!) مؤشر إنذار SR
المعنى	تحذير "عطل"
لماذا؟	هناك جزء/بعض الأجزاء معطلة أو هناك عطل في عملية التبريد. يتم توصيل المنتج لمدة ساعة واحدة عند الاستخدام لأول مرة أو بعد انقطاع الطاقة لفترة طويلة.
ما الذي يجب أن تفعله؟	تحقق مما إذا كان الباب مفتوحاً أم لا، وتحقق مما إذا كان المنتج يعمل لمدة ساعة. إذا كان الباب غير مفتوح وعمل المنتج لمدة ساعة، فاتصل بالخدمة لتحصل على المساعدة في أقرب وقت ممكن.

إذا كنت تواجه مشكلة في جهازك، يرجى التحقق مما يلي قبل الاتصال بخدمة ما بعد البيع.

جهازك لا يعمل

تحقق مما يلي:

- وجود طاقة
- تم وضع القابيس بشكل صحيح في المقبس
- انفجر فيوز القابيس أو التيار الكهربائي
- مقبس التيار الكهربائي معيب. للتحقق من هذا، ضع جهاز آخر يعمل في المقبس نفسه.

أداء الجهاز ضعيف

تحقق مما يلي:

- الجهاز مثقل
- باب الجهاز مغلق بشكل صحيح
- وجود غبار على المكثف
- وجود مساحة كافية في الجدران الخلفية والجانبية.

جهازك يصدر ضوضاء

ضوضاء طبيعية

تحدث طقطقة:

- أثناء الإذابة التلقائية للتلنج
- عندما يتم تبريد الجهاز أو تسخينه (بسبب تمدد المواد المصنوع منها الجهاز).

تحدث طقطقة قصيرة: عندما يقوم الترموستات بتشغيل/إيقاف تشغيل ضاغط التلاجة.

ضوضاء الموتور: تشير إلى أن الضاغط يعمل بشكل طبيعي. قد يصدر الضاغط مزيداً من الضوضاء لفترة قصيرة عند تشغيله لأول مرة.

صوت رذاذ وحدوث فقاعات: نتيجة تدفق غاز التبريد في أنابيب النظام.

افصل الجهاز عن التيار الكهربائي قبل التنظيف.

لا تغسل الجهاز عن طريق صب الماء عليه. تستخدم منتجات المنظفات الكاشطة أو القوية أو الصابون لتنظيف الجهاز. بعد الغسيل، اشطفه باستخدام مياه نظيفة وجففه بعناية. بعد الانتهاء من التنظيف، أعد توصيل القابيس بمصدر التيار الكهربائي بأيدي جافة.

- تأكد من عدم دخول الماء إلى مبيت المصباح والعناصر الكهربائية الأخرى.
- يجب تنظيف الجهاز بشكل دوري باستخدام محلول بيكربونات الصودا والماء الفاتر.
- نظف الإكسسوارات يدوياً بشكل منفصل بالماء والصابون. لا تنظف الإكسسوارات في غسالة الأطباق.
- نظف المكثف بفرشاة مرتين في السنة على الأقل. سيساعدك ذلك على توفير تكاليف الطاقة وزيادة الإنتاجية.

يجب فصل قابيس الكهرباء عن الجهاز أثناء التنظيف.

5.1 إزالة الثلج

تنظيف وعاء التبخير:

تقوم تلاجتك بإزالة الثلج تلقائياً. الماء الناتج من إذابة التجمد يتدفق إلى وعاء التبخير ويمر عبر أخدود تجميع الماء، ويتبخر فيه من تلقاء نفسه.

استبدال لمبة LED

لاستبدال أي من مصابيح LED، يرجى الاتصال بأقرب مركز خدمة معتمد.

ملاحظة: قد يتم تغيير عدد وأماكن شرائط مصابيح LED وفقاً للطراز.

6 الشحن وضبط الموضع

6.1 النقل وتغيير الوضع

- ينبغي الحفاظ على العبوة الأصلية والفوم لإعادة النقل (اختياري).
- قم بتثبيت الجهاز الخاص بك في عبوة سميكة أو أربطة أو حبال قوية واتباع الإرشادات الخاصة بالنقل الموجودة على العبوة.
- أزل كل الأجزاء المتحركة أو قم بتثبيتها داخل الجهاز ضد الصدمات باستخدام الأربطة أثناء تغيير الموضع أو النقل.
- احمل الجهاز في وضع مستقيم دائماً.

اللحوم والأسماك	الإعداد	أقصى مدة للتخزين (بالأشهر)
أسماك المياه العذبة (السلمون، الشبوط، الكرين، القرموط)	بعد تنظيف أحشاء وقشور الأسماك، يتم غسلها وتجفيفها. وعند اللزوم يتم قطع الذيل والرأس.	2
السماك النحيل (البص، سمك الترس، الفلاوندر)		4
الأسماك الدهنية (التونة، الماكريل، سمك القنبر، الأتسوجة)		4 - 2
محار	يُنظف ويُوضع في كيس	6 - 4
الكافيار	في عبواتها، أو داخل حاوية من البلاستيك أو الألومنيوم	3 - 2
الحلزون	في مياه مالحة، أو داخل حاوية من البلاستيك أو الألومنيوم	3
ملاحظة: يجب طهي اللحم المجمد بعد ذوبانه كحكم طازج. إذا لم يتم طهي اللحم بعد إذابته، يجب عدم تجميده مجدداً.		

الخضار و الفواكه	الإعداد	أقصى مدة للتخزين (بالأشهر)
الفاصوليا والفول	يُنغسل ويقطع إلى قطع صغيرة وتُغلى في الماء	13 - 10
الفول	يتم تقشيرها ويُغسل ثم يغلى في الماء	12
الكرنب	يغسل ويغلى في الماء	8 - 6
الجزر	يُنغسل ويقطع إلى شرائح ثم يغلى في الماء	12
الفلفل	يتم قطع الجذع، ويقطع إلى قطعتين ويتم إزالة القلب ثم يغلى في الماء	10 - 8
السبانخ	يغسل ثم يغلى في الماء	9 - 6
القرنبيط	أزل الأوراق، وقطع القلب إلى قطع، واتركه في الماء مع قليل من عصير الليمون لفترة من الوقت	12 - 10
الباذنجان	يقطع إلى أجزاء بطول 2 سم بعد غسله	12 - 10
الثرة	تُنغسل وتعبأ بالساق أو كترة حلوة	12
التفاح والمشمش	يتم تقشيرها وتقطع إلى شرائح	10 - 8
المشمش والخوخ	يقطع إلى قطعتان ويتم إزالة البذرة	6 - 4
الفراولة والتوت الأسود	يتم غسله وتقسيره	12 - 8
الفواكه المطهية	أضف 10% من السكر إلى الوعاء	12
برقوق وكرز وفراولة	يتم غسله وتقسير الجذوع	12 - 8

أقصى مدة للتخزين (بالشهر)	وقت إذابة التجمد في درجة حرارة الغرفة (بالساعات)	وقت إذابة التجمد في الفرن (بالدقائق)	
6 - 4	3 - 2	4-5 (220-225 C°)	الخبز
6 - 3	1,5 - 1	5-8 (190-200 درجة مئوية)	البيسكويت
3 - 1	3 - 2	5-10 (200-225 درجة مئوية)	معجنات
1,5 - 1	4 - 3	5-8 (190-200 درجة مئوية)	فطيرة
3 - 2	1,5 - 1	5-8 (190-200 درجة مئوية)	عجينة فيللو
3 - 2	4 - 2	15-20 (200 درجة مئوية)	بيتزا

منتجات الألبان	الإعداد	أقصى مدة للتخزين (بالشهر)	شروط التخزين
لبن معبأ (متجانس)	في العبوة الخاصة به	3 - 2	لبن صافي - في العبوة الخاصة به
جبين - ما عدا الجبن الأبيض	على هيئة شرائح	8 - 6	يمكن استخدام العبوة الأصلية للتخزين قصير الأجل. استمر في لفها في فويل لتخزينها لفترة أطول.
الزبد، السمن الصناعي	في عبوتها	6	

- اتبع دائمًا تعليمات المصنع الواردة على عبوة الطعام في حال تخزين الطعام المجمد. وإذا لم يتم توفير معلومات على العبوة، فلا يجب تخزين الطعام لما يزيد على 3 أشهر من تاريخ الشراء.
 - عند شراء الطعام المجمد، تأكد من أنه تم تخزينه تحت ظروف ملائمة وأن العبوة ليست تالفة.
 - يجب نقل الطعام المجمد في حاويات ملائمة ووضعه في الفريزر في أقرب وقت ممكن.
 - لا تشتري الطعام المجمد إذا ظهر على العبوة علامات الرطوبة أو انتفاخ غير معتادة. فمن المحتمل أنه قد تم تخزينه في درجة حرارة غير مناسبة وقد تدهورت حالة محتوياته.
 - تعتمد فترة حياة الطعام المجمد على درجة حرارة الغرفة، وإعداد الثرموستات، ومعدل تكرار فتح الباب، ونوع الطعام، والمدة الزمنية المطلوبة لنقل المنتج من المتجر إلى منزلك. عليك دائمًا اتباع التعليمات المطبوعة على العبوة وعدم تجاوز فترة التخزين القصوى المشار إليها.
 - في حالة ترك باب الفريزر مفتوحًا لفترة طويلة أو غير مغلق بصورة صحيحة، سيتكون الجليد ويمكنه أن يُعيق الدوران الفعال للهواء. لحل هذه المشكلة، افصل الفريزر عن الطاقة واتركه حتى يذوب الجليد. نظف الفريزر بمجرد انتهاء عملية ذوبان الجليد.
 - حجم الفريزر المذكور على الملصق هو حجمه دون إضافة السلالات والأغطية وما شابه.
 - لا تعد تجميد الطعام المُذاب. فهذا قد يُشكل خطرًا على صحتك ويسبب مشاكل مثل التسمم الغذائي.
- ملاحظة:** إذا حاولت فتح باب الفريزر بعد إغلاقه مباشرة، ستجد أنه لن يُفتح بسهولة. وهذا أمر طبيعي. بعد الوصول إلى حالة التوازن، سيُفتح الباب بسهولة.

يعد الجدول أدناه دليلًا سريعًا يظهر لك أفضل طريقة فعالة لتخزين مجموعات الأطعمة الرئيسية في مقصورة الفريزر.

اللحوم والأسماك	الإعداد	أقصى مدة للتخزين (بالأشهر)
شرايح لحم	يُلف في رقائق	6 - 8
لحم الضأن	يُلف في رقائق	6 - 8
قطع لحم العجل	يُلف في رقائق	6 - 8
مكعبات لحم العجل	في قطع صغيرة	6 - 8
مكعبات لحم الضأن	على هيئة قطع	4 - 8
لحم مفروم	يُلف في عبوات بدون استخدام التوابل	1 - 3
أحشاء طائر (قطع)	على هيئة قطع	1 - 3
السجق/السلامي	يجب إبقاء معبأ حتى إذا كان به أغشية	
الدجاج والديك الرومي	يُلف في رقائق	4 - 6
الإوز والبط	يُلف في رقائق	4 - 6
الغزلان، الأرانب، والحيوانات البرية	على هيئة كميات تبلغ 2.5 كجم وكشرايح فيليه	6 - 8

4 تخزين الأطعمة

4.1 مقصورة الثلجة

في ظروف التشغيل العادية، اضبط درجة حرارة مقصورة وحدة التبريد على +4 أو +6 درجة مئوية.

- للحد من الرطوبة وتجنب توابعها الممتلئة في تكون الثلج، خزن السوائل دائماً في حاويات مغلقة جيداً في الثلجة. يميل الثلج للتركز في أكثر الأجزاء برودة من السائل المتبخر وبمرور الوقت سيتطلب جهازك إزالة الثلج على نحو أكثر تكراراً.

- ينبغي الحفاظ على تغطية الأطباق التي بها طعام مطهو عند وضعها في الثلجة. لا تضع طعاماً ساخناً في الثلجة، ضعه عندما يبرد، وإلا فستزداد درجة الحرارة/الرطوبة داخل الثلجة، ما ينتج منه انخفاض كفاءة الثلجة.
- احرص على عدم ملامسة أي عنصر للجدار الخلفي للجهاز لأن ذلك سيؤدي إلى تكون الجليد والتصاق العبوات به. لا تفتح باب الثلجة على نحو متكرر.

- نوصي بتغليف اللحوم والأسماك النظيفة بشكل سائب وتخزينها على الرف الزجاجي أعلى صندوق الخضروات مباشرة حيث يكون الهواء أكثر برودة، حيث يوفر هذا أفضل ظروف تخزين.

- خزن الفواكه والخضروات السائبة في حاويات مقصورة الطعام الطازج.

- يساعد تخزين الفواكه والخضروات بشكل منفصل على منع تأثير الخضروات الحساسة للإيثيلين (ذات الأوراق الخضراء، والقرنبيط، والجزر، الخ) على الفواكه التي تفرز الإيثيلين (الموز، والخوخ، والمشمش، والتين الخ) لا تضع الخضروات الرطبة في الثلجة.

- يعتمد وقت التخزين لجميع المواد الغذائية على جودة الغذاء الأولية وعدم انقطاع دورة التبريد قبل التخزين بالثلجة.
- قد يؤثر تسرب الماء من اللحوم سلباً على المنتجات الأخرى في الثلجة. يجب تغليف منتجات اللحوم وتنظيف أي تسربات من على الأرفف.
- لا تضع الطعام أمام تيار الهواء المتدفق.
- استهلك الأطعمة المغلقة قبل تاريخ انتهاء الصلاحية الموصى به.

لا تدع الطعام يلامس مستشعر درجة الحرارة الواقع في مقصورة الثلجة، وذلك للحفاظ على درجة الحرارة المثلى في مقصورة الثلجة.

- لظروف التشغيل العادية، سيكون من الكافي تعديل إعدادات درجة الحرارة للثلجة إلى +4 درجة مئوية.
- درجة حرارة مقصورة الثلجة يجب أن تكون في نطاق 0-8 درجة مئوية، الأطعمة الجاهزة أدنى من 0 درجة مئوية ستكون مجمدة وتالفة وسيزداد الحمل البكتيري عند أعلى من 8 درجة مئوية ويتسبب في تلف الطعام.
- لا تضع الطعام في الثلجة على الفور، انتظر حتى تنخفض درجة الحرارة بالخارج. تزيد الأطعمة الساخنة من درجة

الثلجة وتسبب في تسمم الطعام والتلف غير ضروري للطعام.

- اللحوم، الأسماك، .. إلخ يجب تخزينها في مقصورة التبريد للأطعمة، ويُفضل استخدام مقصورة الخضراوات للخضراوات. (عند الإتاحة).
- لمنع التلوث المتبادل، لا يجب تخزين منتجات اللحوم، والفواكه والخضراوات معاً.
- يجب وضع الأطعمة في الثلجة في حاويات مغلقة أو تغطيتها لمنع الرطوبة والروائح.
- يعد الجدول أدناه دليلاً سريعاً يظهر لك أفضل طريقة فعالة لتخزين مجموعات الأطعمة الرئيسية في مقصورة الثلجة.

الطعام	أقصى مدة للتخزين	كيف التخزين ومكانه
الخضراوات والفواكه	أسبوع واحد	درج الخضراوات
اللحوم والأسماك	يومين - 3 أيام	ثلف في رفائق أو أكياس بلاستيكية، أو في حاوية اللحوم وتُخزين على الرف الزجاجي
الجبين الطازج	3 - 4 أيام	على رف الباب المحدد
الزبد والسمن	أسبوع واحد	على رف الباب المحدد
المنتجات المعبأة في زجاجات مثل الحليب والزبادي	حتى تاريخ انتهاء الصلاحية الذي أوصى به المنتج	على رف الباب المحدد
البيض	شهر واحد	على رف البيض المحدد
الطعام المطهي	يوماً	في جميع الأرفف

ملاحظة:

يجب ألا تُحفظ البطاطس والبصل والثوم في الثلجة.

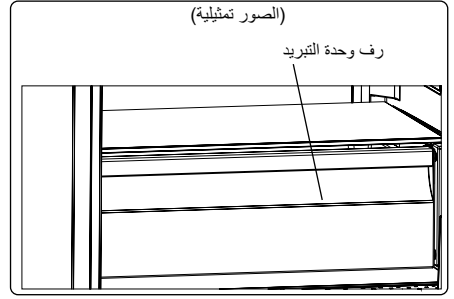
4.2 مقصورة الفريزر

للحصول على أوضاع تشغيل عادية، اضبط درجة حرارة مقصورة الفريزر على -18 أو -20 درجة مئوية.

- يستخدم الفريزر في تخزين الطعام المجمد، وتجميد الطعام الطازج، وصنع مكعبات الثلج.
- يجب تجميد الطعام السائل في أكواب بلاستيكية ويجب تجميد غيره من الطعام في أوراق الفويل أو الأكياس البلاستيكية لتجميد المواد الغذائية الطازجة؛ قم بلف وإحكام الغلق على المواد الغذائية الطازجة بشكل صحيح، بحيث يكون التغليف محكماً ولا يسرب. تعتبر أكياس الثلجة الخاصة ورقائق الألومنيوم وأكياس النايلون والحاويات البلاستيكية مثالية لهذا الأمر.
- لا تخزن الطعام الساخن بجانب الطعام المجمد إذ قد يؤدي ذلك إلى ذوبان الطعام المجمد.
- قبل تجميد الطعام الطازج، قسّمه إلى كميات يمكن استخدامها في المرة الواحدة.
- استهلك الطعام المجمد المذاب خلال فترة قصيرة من إزالة الثلج

3.5.4 رف وحدة التبريد (في بعض الطرازات)

(الصور تمثيلية)

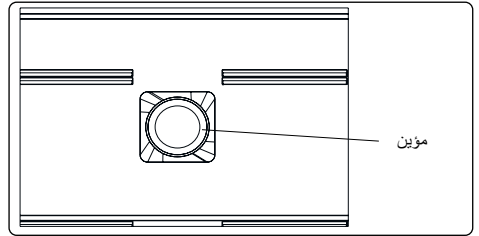


حفظ الطعام في مقصورة وحدة التبريد بدلاً من حفظه بمقصورة الفريزر أو الثلاجة يسمح للأطعمة بالاحتفاظ بنضارتها ونكهتها لفترة أطول، مع الحفاظ على مظهرها الطازج. عندما تتسخ صينية وحدة التبريد، قم بإزالتها ثم اغسلها بالماء.

(تتجمد المياه عند 0 درجة مئوية، ولكن الأطعمة التي تحتوي على الملح أو السكر تتجمد عند درجة حرارة أقل من ذلك). تُستخدم مقصورة وحدة التبريد عادةً لتخزين الأطعمة مثل الأسماك النيئة والأطعمة المخالطة قليلاً والأرز وما إلى ذلك. لا تضع الطعام الذي ترغب في تجميده أو صواني الثلج (الصنع الثلج) في مقصورة وحدة التبريد.

3.5.5 تقنية الأيونات الطبيعية (في بعض الطرازات)

تقوم تقنية الأيونات الطبيعية بنشر الأيونات السالبة التي تعمل على معادلة جزيئات الرائحة الكريهة والغبار في الهواء. من خلال إزالة هذه الجزيئات من الهواء في وحدة التبريد، فإن تقنية الأيونات الطبيعية تعمل على تحسين جودة الهواء والتخلص من الروائح الكريهة.



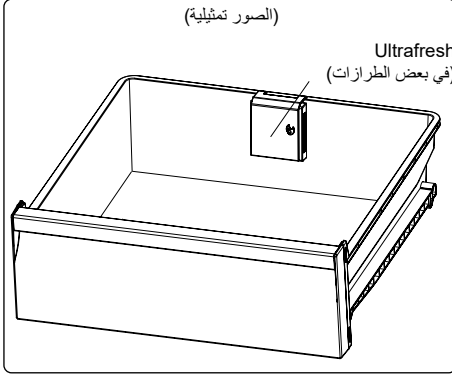
- هذه الخاصية اختيارية. قد لا تكون متاحة في منتجك.
- يمكن أن تختلف وحدة المؤين في جهازك بحسب نوع المنتج.

3.5.6 Ultrafresh (إن وجدت)

تُساعد تقنية Ultrafresh على إزالة غاز الإيثيلين (مركب عضوي متطاير والذي ينشأ على نحو طبيعي من الأطعمة الطازجة) وعلى إزالة الروائح الكريهة من الدرج الحافظ للأغذية. وبهذه الطريقة، يظل الطعام طازجًا لفترة أطول.

- يجب تنظيف Ultrafresh مرة واحدة في العام. يجب وضع فلتر الروائح في الفرن لمدة ساعتين عند 65 درجة مئوية.
- لتنظيف فلتر الروائح، يرجى إزالة الغطاء الخلفي لصندوق الفلتر عن طريق سحبه في اتجاه السهم.
- يحذر تنظيف الفلتر باستخدام المياه أو أي منظف.

(الصور تمثيلية)



فئات المناخ ومعانيها:

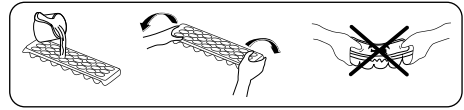
- T (استوائية):** هذه الثلاجة مُعدة للاستخدام في درجات حرارة محيطية تتراوح بين 16 و43 درجة مئوية.
- ST (شبه استوائية):** هذه الثلاجة مُعدة للاستخدام في درجات حرارة محيطية تتراوح بين 16 و38 درجة مئوية.
- N (معتدلة):** هذه الثلاجة مُعدة للاستخدام في درجات حرارة محيطية تتراوح بين 16 و32 درجة مئوية.
- SN (درجة حرارة موسعة):** هذه الثلاجة مُعدة للاستخدام في درجات حرارة محيطية تتراوح بين 10 و32 درجة مئوية.

3.5 الملحقات

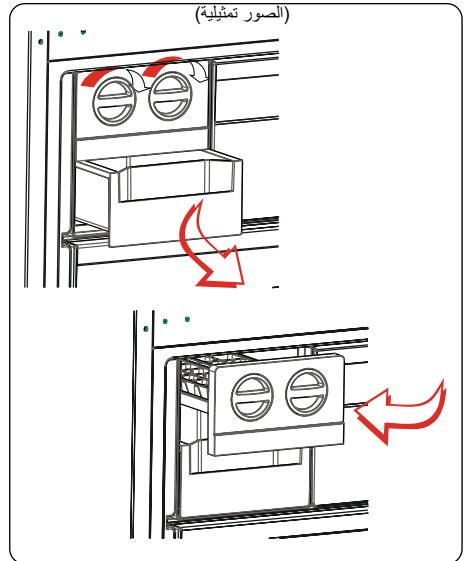
قد تختلف الأوصاف المرئية، والنصبة لقسم الملحقات حسب طراز جهازك.

3.5.1 صينية الثلج (في بعض الطرازات)

- عليك تعبئة درج الثلج بالمياه ووضعه في مقصورة صنع الثلج.
- بعد تجمد الماء بالكامل، يمكنك لف الدرج كما هو موضح أدناه لتفريغ مكعبات الثلج.



The Icematic 3.5.2 (في بعض الطرازات)

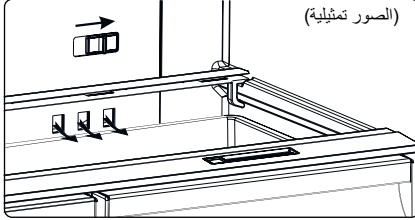


- اسحب الذراع إليك، وأزل صينية صنع الثلج
- أملأها بالماء حتى المستوى المحدد
- امسك بالنهاية اليسرى للذراع وضع صينية الثلج في صندوق الثلج

- عند تكون مكعبات الثلج، عليك ثني الذراع لإسقاط مكعبات الثلج في صندوق الثلج.
- لا تقم بتعبئة صندوق الثلج بالمياه لصنع الثلج. فهذا سيؤدي إلى انكساره.

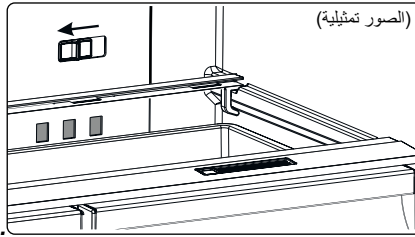
3.5.3 صندوق التخزين

للاستخدام في الجزء ذي درج التبريد در:
إذا رغبت في استخدام هذه المقصورة كصندوق ذا درج التبريد، فعليك تحريك الغطاء المنزلق (المُشار إليه في الصورة) من الوضع المغلق إلى الوضع المفتوح.



لاستخدام مقصورة الدرج الحافظ للأغذية:

إذا رغبت في استخدام هذه المقصورة كدرج حافظ للأغذية، فعليك تحريك الغطاء المنزلق (المُشار إليه في الصورة) من الوضع المفتوح إلى الوضع المغلق.



3.3.4 وضع الشاشة المؤقتة

الغرض

يوفر هذا الوضع الطاقة عن طريق إيقاف تشغيل إضاءة لوحة التحكم كلها عند ترك اللوحة غير نشطة.

كيفية الاستخدام

- سيتم تنشيط وضع الشاشة المؤقتة تلقائياً بعد 30 ثانية.
- إذا ضغطت أي مفتاح أثناء إيقاف تشغيل إضاءة لوحة التحكم، فستظهر إعدادات الجهاز الحالية مرة أخرى على الشاشة لتتيح لك إجراء أي تغيير تريده.
- إذا لم تقم بإلغاء وضع الشاشة المؤقتة أو لم تضغط على أي مفتاح لمدة 30 ثانية، فستظل لوحة التحكم في حالة إيقاف تشغيل.

إلغاء تنشيط وضع الشاشة المؤقتة،

- لإلغاء وضع الشاشة المؤقتة، أولاً وقبل كل شيء، تحتاج إلى الضغط على أي مفتاح لتنشيط المفاتيح ثم اضغط باستمرار على زر ضبط الفريزر مرة أخرى لمدة 5 ثوانٍ.
- لإعادة تنشيط وضع الشاشة المؤقتة، اضغط باستمرار على زر ضبط الفريزر لمدة 5 ثوانٍ.

3.3.5 إعدادات درجة حرارة وحدة التبريد

- اضغط على زر ضبط وحدة التبريد مرة واحدة.
- عندما تضغط على هذا الزر لأول مرة، ستظهر القيمة السابقة على مؤشر ضبط وحدة التبريد.
- كلما ضغطت على هذا الزر، يتم تعيين درجة حرارة أقل (+8 درجات مئوية، أو +6 درجات مئوية، أو الاقتصادي، أو +4 درجات مئوية، أو +2 درجة مئوية، أو التبريد الفائق).

- عند الضغط على زر ضبط وحدة التبريد حتى يظهر رمز التبريد الفائق على مؤشر إعدادات وحدة التبريد، وعدم الضغط على أي زر لمدة 3 ثوانٍ، ستومض علامة التبريد الفائق.
- في حالة الاستمرار في الضغط على نفس الزر، سيبدأ مرة أخرى من +8 درجات مئوية.

3.3.6 إعدادات درجة حرارة الفريزر

- اضغط على زر ضبط إعدادات الفريزر مرة واحدة.
- عندما تضغط على هذا الزر لأول مرة، ستظهر القيمة السابقة على مؤشر إعدادات الفريزر.
- كلما ضغطت على هذا الزر، يتم تعيين درجة حرارة أقل (-16، أو الاقتصادي، أو -20، أو -22، أو -24 درجة مئوية، أو التبريد الفائق).
- عند الضغط على زر ضبط الفريزر حتى يظهر رمز التجميد الفائق على مؤشر إعدادات الفريزر، ولا تضغط على أي زر خلال 3 ثوانٍ حتى تومض علامة التجميد الفائق.
- في حالة الاستمرار في الضغط على نفس الزر، سيبدأ مرة أخرى من -16 درجة مئوية.

الإعدادات الموصى بها لدرجات حرارة الفريزر ومقصورة وحدة التبريد

ملاحظات	مقصورة وحدة التبريد	مقصورة الفريزر
للاستخدام المنتظم وأفضل أداء.	4 درجات مئوية	eco
يوصى به عندما تزيد درجة الحرارة المحيطة عن 30 درجة مئوية.	4 درجات مئوية	-20 درجة مئوية، -22 درجة مئوية أو -24 درجة مئوية
يجب أن يتم استخدامها عندما ترغب في تجميد الطعام في فترة قصيرة من الزمن.	4 درجات مئوية	فائق (وضع التجميد الفائق)
يجب استخدام إعدادات درجة الحرارة هذه عندما تكون درجة الحرارة المحيطة عالية، أو إذا كنت تعتقد أن مقصورة الثلجة لا تبرد بشكل كافٍ بسبب فتح الباب بشكل متكرر.	2 درجة مئوية	الاقتصادي، -20، درجة مئوية، أو -22 درجة مئوية، أو -24 درجة مئوية
يجب أن يستخدم عندما يتم تحميل مقصورة الثلجة حملاً زائداً من الأطعمة أو عند الحاجة إلى تبريد الطعام على الفور.	فائق (وضع التبريد الفائق)	الاقتصادي، -20، درجة مئوية، أو -22 درجة مئوية، أو -24 درجة مئوية

3.3.7 وظيفة الإنذار عند فتح الباب

إذا تم فتح باب الثلجة لأكثر من دقيقتين، فستسمع صوت "صافرة".

3.4 تحذيرات إعدادات درجة الحرارة

- صُمم الجهاز للعمل في نطاقات درجة الحرارة المحيطة المنصوص عليها في المعايير القياسية، وفقاً لبيئة المناخ الميمنية في ملصق المعلومات. لا يوصى بتشغيل الثلجة في البيئات الواقعة خارج نطاقات درجة الحرارة المنصوص عليها. فهذا سيؤدي إلى خفض كفاءة التبريد الخاصة بالجهاز.
- ينبغي إجراء التعديلات على درجة الحرارة وفقاً لمعدل تكرار فتح باب الثلجة وكمية الأطعمة المحفوظة داخل الجهاز ودرجة الحرارة المحيطة لموقع جهازك.
- عند تشغيل الجهاز للمرة الأولى، اتركه يعمل لمدة 24 ساعة للوصول إلى درجة حرارة التشغيل. خلال هذه الفترة، لا تفتح الباب ولا تترك كمية كبيرة من الطعام بالداخل.
- يتم تفعيل وظيفة التأخير لمدة 5 دقائق لمنع تلف ضاغط الجهاز عند توصيله بالكهرباء أو فصله عنها، أو عند انقطاع التيار الكهربائي. سوف يعمل جهازك بشكل طبيعي بعد 5 دقائق.

الإضاءة (إذا كانت متاحة)

عندما يكون الجهاز متصلاً بمقياس الطاقة للمرة الأولى، قد تعمل الأضواء الداخلية بعد دقيقة بسبب اختبارات الفتح.

3.3.1 وضع التبريد الفائق

متى يتم استخدامه؟

- لتبريد كميات ضخمة من المواد الغذائية.
- لتبريد الطعام السريع.
- لتبريد الأطعمة بسرعة.
- لتخزين الطعام الموسمي لمدة طويلة.

تنشيط وضع التبريد الفائق

اضغط على زر ضبط وحدة التبريد حتى يضيء رمز التبريد الفائق. ستسمع صوت صافرة مرتين ثم يتم ضبط الوضع.

أثناء عمل وضع التبريد الفائق

يمكن إلغاء وضع التبريد الفائق بنفس طريقة تحديده.

3.3.2 وضع التجميد الفائق

متى يتم استخدامه؟

- لتجميد كمية كبيرة من الأطعمة التي لا يمكن وضعها على رف التجميد السريع.
- لتجميد الأطعمة الجاهزة.
- لتجميد الأطعمة الطازجة بسرعة للاحتفاظ بها طازجة.

تنشيط وضع التجميد الفائق

اضغط على زر ضبط إعدادات الفريزر حتى يظهر رمز التجميد الفائق على الشاشة. ستسمع صوت صافرة مرتين ثم يتم ضبط الوضع.

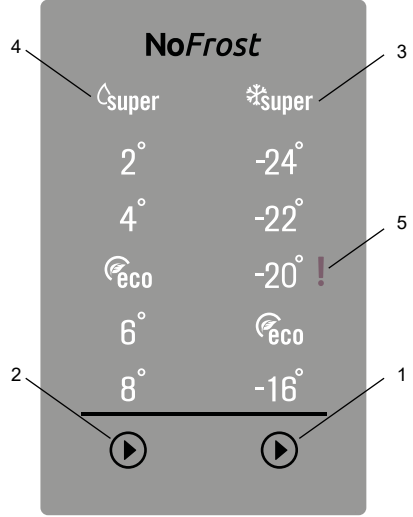
أثناء وضع التجميد الفائق

يمكن إلغاء وضع التجميد الفائق بنفس طريقة اختياره.

3.3.3 تنشيط الوضع الاقتصادي

مقصورة وحدة التبريد

- اضغط على زر ضبط وحدة التبريد حتى يضيء رمز التبريد الاقتصادي.
 - إذا لم يتم الضغط على أي زر لمدة ثانية واحدة، فسيتم ضبط الوضع وستسمع صوت الصافرة مرتين للتأكيد.
 - للإلغاء، اضغط على زر ضبط وحدة التبريد.
- مقصورة الفريزر**
- اضغط على زر ضبط إعدادات الفريزر حتى يضيء رمز التجميد الاقتصادي على الشاشة.
 - إذا لم يتم الضغط على أي زر لمدة ثانية واحدة، فسيتم ضبط الوضع وستسمع صوت الصافرة مرتين للتأكيد.
 - للإلغاء، اضغط على زر ضبط إعدادات الفريزر.



استخدام لوحة التحكم

1. تسمح بتعديل قيمة إعدادات الفريزر وبتفعيل وضع التجميد الفائق إذا رغبت في ذلك. يمكن إعداد الفريزر على درجة حرارة -16- اقتصادي و-20- و-22- و-24- والتجميد السريع.
2. تسمح بتعديل قيمة إعدادات التبريد وبتفعيل وضع التبريد الفائق إذا رغبت في ذلك. يمكن ضبط وحدة التبريد على 8، 6، 4، 2 درجة مئوية، وعلى التبريد الفائق.
3. مؤشر التجميد الفائق.
4. مؤشر التبريد الفائق.
5. مؤشر إنذار Sr.

3.2.1 استخدام لوحة التحكم

زر ضبط وحدة التبريد

يسمح زر ضبط وحدة التبريد بإجراء تغييرات على درجة حرارة مقصورة وحدة التبريد. كما يمكن تنشيط وضعي التبريد الفائق والاقتصادي باستخدام هذا الزر.

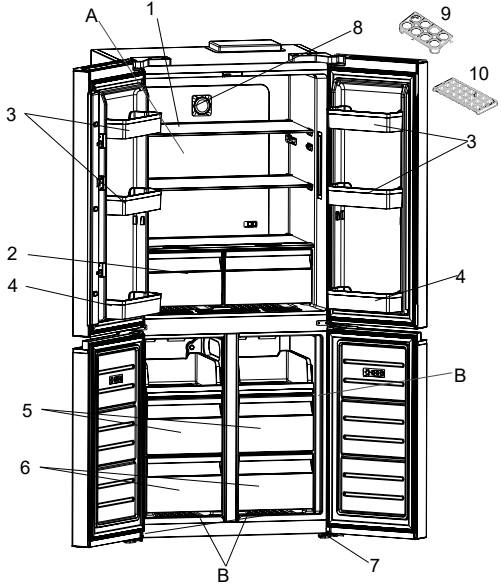
زر ضبط الفريزر

زر ضبط الفريزر يسمح بإجراء تغييرات على درجة حرارة مقصورة الفريزر. يمكن تنشيط الوضعين التجميد الفائق والاقتصادي باستخدام هذا الزر.

إنذار Sr

سوف يضيء إنذار Sr باللون الأحمر في حال حدوث أي مشاكل.

2 وصف الجهاز



هذا العرض التديمي مُعد فقط للاطلاع على معلومات بشأن أجزاء الجهاز. قد تختلف الأجزاء وفقًا لطراز الجهاز.

(أ) مقصورة الثلجة

(ب) مقصورة الثلجة

1. أرفف مقصورة الثلجة
 2. الأدراج الحافظة للأغذية
 3. الأرفف العلوية بالباب
 4. أرفف الزجاجات بالباب
 5. السلة العلوية للثلجة
 6. السلة السفلية للثلجة
 7. دعامة قابلة للضبط
 8. مؤين*
 9. حامل البيض.
 10. صواني صندوق الثلج
- * في بعض الطرز

الخصائص العامة لجهازك

4. لدى مقصورات المبرد والفریزر أنظمة تدوير هواء منفصلة بفعل تكنولوجيا النوفروست الجديدة التي نقدمها. يضمن هذا عدم مرور أي روائح بين المقصورات، وبقاء الخضراوات طازجة لفترات أطول.
5. تحافظ مروحة الطاقة الفعالة على تدوير الهواء عن طريق العمل بصورة منفصلة عن الضاغط. وبذلك، تتم عملية التدوير بشكل متجانس ومتوازن بين رفوف المبرد.
6. من خلال التصميم المميز لمسارب الهواء، توزع المراوح الهواء البارد من منافذ متعددة على جميع مستويات الرفوف في المبرد.
7. يحتوي الجهاز على لمبات LED والتي تضيء تدريجيًا، بدلاً من الأضواء الساطعة المفاجئة. تشمل لمبات LED إلى سطوع بنسبة 100% بعد ثوانٍ قليلة من فتح الباب.

3 استخدام الجهاز

3.1 معلومات بشأن الجيل الجديد من تكنولوجيا التبريد

الثلاجات المزودة بتقنية الجيل الجديد للتبريد لديها نظام عمل مختلف عن الثلاجات ثابتة التبريد. قد تتعرض الثلاجات (ثابتة التبريد) الأخرى إلى تراكم الثلج في مقصورة الفريزر بسبب فتح الباب والرطوبة الموجودة في الطعام. في مثل هذا النوع من الثلاجات، يلزم إزالة الجليد بانتظام ويجب إيقاف تشغيل الثلاجة ونقل الطعام المجمد إلى حاوية مناسبة وإزالة الثلج المتكون في مقصورة الفريزر.

في الثلاجات التي بها تكنولوجيا التبريد من الجيل الجديد، تنفخ مروحة هواء باردًا بشكل متساوٍ في جميع أنحاء مقصورتي الثلجة والفریزر. يعمل الهواء البارد على تبريد الطعام بالتساوي وبشكل موحد، ما يمنع وجود رطوبة وتكون الثلج.

في مقصورة الثلجة، الهواء الذي ينبعث من المروحة، الواقع في الجزء العلوي من مقصورة الثلجة، يتم تبريده بينما يمر من خلال الفجوة وراء أنابيب الهواء. في الوقت نفسه، ينبعث الهواء من فتحات أنابيب الهواء وينشر الهواء البارد بالتساوي في جميع أنحاء مقصورة الثلجة.

ليس هناك ممر هوائي بين الفريزر ومقصورات الثلجة، ما يمنع اختلاط الروائح.

ونتيجة لذلك، تمنحك الثلجة الجديدة، المزودة بتقنية تبريد من الجيل الجديد سهولة الاستخدام إلى جانب حجمها الضخم وتصميمها الجميل.

تحمي مواد التغليف جهازك من التلف الذي قد يحدث أثناء النقل. جميع مواد التغليف صديقة للبيئة وقابلة لإعادة التدوير. يحد استخدام المواد المعاد تدويرها من استهلاك المواد الخام وبالتالي يقلل من إنتاج النفايات.



ملاحظات:

- يرجى قراءة دليل التعليمات بعناية قبل تركيب الجهاز الخاص بك واستخدامه. نحن لسنا مسؤولين عن الضرر الذي يقع بسبب سوء الاستخدام.
- اتباع جميع التعليمات التي على الجهاز الخاص بك والموجودة بدليل التعليمات، واحفظ هذا الدليل في مكان آمن من أجل حل المشكلات التي قد تحدث في المستقبل.
- تم صنع هذا الجهاز لاستخدامه في المنازل، ولا يمكن استخدامه إلا في البيئة المحلية وللأغراض المحددة. فهو غير مناسب للاستخدام التجاري أو المشترك. وسوف يسبب مثل هذا الاستخدام إلغاء ضمان الجهاز ولن تكون شركتنا مسؤولة عن أي خسائر قد تتكبدها.
- تم صنع هذا الجهاز لاستخدامه في المنازل، وهو مناسب فقط لتبريد / تخزين الأطعمة. فهو غير مناسب للاستخدام التجاري أو المشترك و/أو لتخزين المواد الأخرى غير الأطعمة. شركتنا غير مسؤولة عن أي خسائر تتكبدها نتيجة للاستخدام غير الصحيح للجهاز.

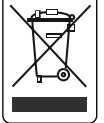
- لا تقم بتوصيل فريزر الثلجة بالكابلات الرئيسية للإمداد بالطاقة الكهربائية باستخدام وصلات من الرصاص.
- لا تستخدم المقاييس الكهربائية التالفة أو المشقوقة أو القديمة.
- لا تشد أو تشني أو تلحق الضرر بالكابل.
- يحظر استخدام مهالبي القابس.
- هذا الجهاز مخصص لاستخدام البالغين. لا تسمح للأطفال بالعبث بهذا الجهاز أو بالتعلق بالباب.
- لا تلمس كابل/قابس الطاقة بيدين مبتلئين. لأن ذلك قد يتسبب في حدوث ماس كهربائي أو صدمة كهربائية.
- لا تضع الزجاجات أو علب المشروبات في مقصورة صنع الثلج، لأنها ستنفجر عند تجمد محتواها.
- لا تضع مواد متفجرة أو قابلة للاشتعال داخل الثلجة. ضع المشروبات التي تحتوي على نسبة عالية من الكحوليات في مقصورة ثلاجتك، واحرص على أن تكون فوهاتها مغلقة بإحكام.
- لا تلمس الثلج عند إزالته من مقصورة صنع الثلج. قد يسبب الثلج حروق الصقيع و / أو جروحًا.
- لا تلمس السلع المجمدة بيدين مبتلئين. لا تتناول الآيس كريم أو مكعبات الثلج مباشرة بعد إخراجها من مقصورة صنع الثلج.
- لا تعد تجميد الطعام المجمد المذاب. فقد يسبب هذا مشاكل صحية مثل التسمم الغذائي.

الثلاجات القديمة والمعطلة

- إذا كانت ثلاجتك القديمة أو الفريزر القديم به قفل، فقم بكسر هذا القفل أو إزالته قبل التخلص منه، لأن الأطفال قد يعلقون بداخله وقد يتسبب في وقوع حادث.
- تحتوي أجهزة الثلجة والفريزر القديمة على مواد عزل والمبرد يحتوي على مركبات الكلوروفلوروكربون. لذلك، احرص على عدم الإضرار بالبيئة عند التخلص من الثلاجات القديمة.

التخلص من جهازك القديم

- يشير الرمز الموجود على المنتج أو على صندوق التعبئة إلى أنه لا يتعين التعامل مع هذا المنتج باعتباره من النفايات المنزلية. وبدلاً من ذلك، يُسلم الجهاز إلى نقطة التجميع المناسبة لإعادة تدوير المعدات الإلكترونية والكهربائية.
- ومن خلال التأكد أنه تم التخلص من هذا الجهاز بالطريقة الصحيحة، ستساعد في منع العواقب السلبية المحتمل حدوثها للبيئة وصحة الإنسان، والتي من شأنها أن تنتج من التخلص من الجهاز بشكل خاطئ. ولمزيد من المعلومات المفصلة حول إعادة تدوير هذا الجهاز، يرجى الاتصال بالمكتب المحلي في مدينتك، أو خدمة التخلص من النفايات المنزلية أو المحل الذي اشتريت منه المنتج.



1.2 تحذيرات التركيب

قبل استخدام فريزر الثلجة لأول مرة، يرجى الانتباه إلى النقاط التالية:

- فوطلية تشغيل فريزر الثلجة لأول مرة، هي 220-240 فولت عند 50 هرتز.
- يجب أن يسهل الوصول إلى القابيس بعد التركيب.
- قد يكون لفريزر الثلجة رائحة عند تشغيله لأول مرة. وهذا أمر طبيعي وستلاشى هذه الرائحة عندما يبدأ فريزر الثلجة في البرودة.
- قبل توصيل فريزر الثلجة، تأكد من أن المعلومات الواردة في لوحة البيانات (الفوطلية والحمل الموصول) تطابق مصادر الكهرباء الرئيسية. في حالة وجود شكوك، استشر فني كهرباء مؤهل.

• قم بإدخال القابيس في مقبس كهربائي ذي وصلة أرضية كافية. إذا كان المقبس لا يوجد به اتصال أرضي أو لا يتوافق القابيس معه، نقترح عليك استشارة فني كهربائي معتمد لتقديم المساعدة.

• يجب توصيل الجهاز بمقبس ذي فيوز مثبت بشكل صحيح. يجب أن يتطابق مصدر الطاقة (AC) والفوطلية عند نقطة التشغيل مع التفاصيل المدونة على لوحة اسم الجهاز (توجد اللوحة على الجانب الأيسر للجهاز).

• لا تتحمل مسؤولية الأضرار التي قد تحدث بسبب الاستخدامات غير المبررة.

• ضع فريزر الثلجة في مكان بعيد عن أشعة الشمس المباشرة.

• ينبغي ألا يُستخدم فريزر الثلجة أبداً في العراء أو أن يترك تحت المطر.

• يجب أن يبتعد الجهاز عن المواقد وأفران الغاز والسخانات بما لا يقل عن 50 سم، وينبغي أن يبتعد عن الأفران الكهربائية بما لا يقل عن 5 سم.

• إذا وضعت فريزر الثلجة بالقرب من الديب فريزر، يجب أن يكون هناك على الأقل 2 سم بينهما لمنع تكون الرطوبة على السطح الخارجي.

• لا تغط جسم فريزر الثلجة أو اعلاه بالدانتيل. سيؤثر هذا على أداء فريزر الثلجة.

• يجب ترك مسافة لا تقل عن 150 ملم أعلى جهازك. لا تضع أي شيء أعلى جهازك.

• لا تضع الأشياء الثقيلة على الجهاز.

• قم بتنظيف الجهاز جيداً قبل استخدامه (راجع قسم التنظيف والصيانة).

• قبل استخدام فريزر الثلجة، قم بمسح جميع الأجزاء بمحلول من الماء الدافئ المضاف إليه ملعقة صغيرة من بيكربونات الصوديوم. ثم اشطفه بالمياه النظيفة وجففه. أعد جميع الأجزاء إلى فريزر الثلجة بعد التنظيف.

• استخدم الأرجل الأمامية القابلة للضبط للتأكد من أن الجهاز في وضع مستو ومستقر. يمكنك ضبط الأرجل من خلال إدارتها في أي من الاتجاهين. يجب أن يتم هذا قبل وضع الطعام في الجهاز.

• عند تشغيل المنتج، يمكن ملاحظة ارتفاع درجة الحرارة على الألواح الجانبية. وهذا أمر عادي.

• وحتى يعمل المنتج بفاعلية، يجب أن يكون هناك فراغ حوله يتيح تدوير الهواء. وإذا كنت تنوي وضع المنتج في منطقة مجوفة في الحائط، فاحرص على أن يكون الفراغ بين السطح العلوي والسقف بمقدار 100 ملم، وبمقدار 50 ملم بين الحائط والألواح الجانبية.

• يجب أن تكون المسافة بين الجهاز والحائط الخلفي بحد أقصى 75 ملم.

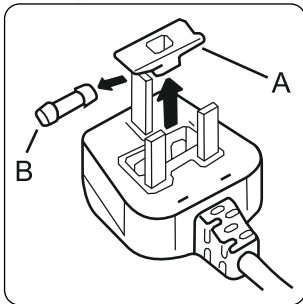
1.3 معلومات كهربائية (قابيس من نوع مخصص للمملكة المتحدة)

تحذير! يجب تأريض هذا الجهاز.

تم تجهيز سلك التيار الكهربائي لهذا الجهاز بقابيس مؤرض بشكل خاص.

مهم! لا تستخدم الجهاز دون وضع غطاء الفيوز. إذا كان من الضروري استبدال الفيوز، يجب استبداله بفيوز 13 أمبير، ومعتمد من ASTA حسب النوع BS1362.

يجب استخدام هذا القابيس مع مقبس مؤرض بشكل خاص من فئة 13 أمبير. إذا لم يكن هناك مقبس كهربائي مثل هذا في منزلك، يرجى تركيبه بواسطة اختصاصي كهرباء معتمد.



تم تجهيز سلك التيار الكهربائي لهذا الجهاز بقابيس مزود بفيوز من نوع 13 أمبير حسب النوع BS 1363A. لتغيير فيوز في هذا النوع من القوابيس، اتبع الخطوات التالية:

1. أزل الفيوز وغطاه.
2. ركب فيوزاً بديلاً 13 أمبير معتمداً من ASTA حسب النوع BS 1362 بغطاء الفيوز.
3. أعد تركيب غطاء الفيوز.

- إذا تعرض سلك التيار الكهربائي للتلف، يجب استبداله بواسطة الجهة المصنعة أو وكيل الصيانة المعتمد لديها أو شخص آخر مؤهل تجنبًا لحدوث المخاطر.
- لم يتم تصميم هذا الجهاز للاستخدام عند ارتفاعات تزيد عن 2000 متر.
- **لتجنب تلوث الطعام، يُرجى اتباع التعليمات التالية:**
- قد يتسبب فتح الباب لفترات طويلة في ارتفاع درجة حرارة مكونات الجهاز بشكل كبير.
- قم بتنظيف الأسطح التي من الممكن أن تلامس الطعام أو أنظمة الصرف التي يسهل الوصول إليها على نحو منتظم
- قم بتخزين اللحوم والأسماك النيئة في حاويات مناسبة في الثلاجة بحيث لا تكون ملائمة للأطعمة الأخرى ولا تتساقط النقاط عليها.
- تُعد مقصورات الطعام المجمد ذات النجمتين مناسبة لتخزين الطعام المجمد مسبقًا، وتخزين أو عمل الأيس كريم أو مكعبات الثلج.
- المقصورات ذات النجمة أو النجمتين أو الثلاث نجوم ليست مناسبة لتجميد الطعام الطازج.
- إذا تم ترك الجهاز المبرد فارغًا لفترات طويلة، فقم بإيقاف تشغيله وإزالة الثلج وتنظيفه وتجفيفه ثم اترك الباب مفتوحًا لمنع حدوث تعفن داخل الجهاز.

- صنع هذا الجهاز للاستخدام المنزلي والاستخدامات الداخلية مثل:
 - المطابخ الموجودة في المحلات والمكاتب وأماكن العمل الأخرى
 - في المزارع وبواسطة نزلاء الفنادق والموتيلات والأماكن السكنية الأخرى.
 - الفنادق التي توفر الإقامة والإفطار؛
 - المطاعم والأماكن المماثلة التي ليس فيها بيع بالتجزئة.
- في حالة عدم توافق المقبس الكهربائي مع قابس الثلاجة، يجب أن يتم استبداله بواسطة الجهة المصنعة، أو من الوكيل أو بواسطة الأشخاص المؤهلين لذلك من أجل تجنب المخاطر المحتملة.
- تم توصيل قابس مؤرض خاص بكابل الطاقة بالثلاجة. هذا القابس يجب أن يستخدم مع مقبس كهربائي مؤرض بشكل خاص من فئة 13 أمبير. إذا لم يكن هناك مقبس كهربائي مثل هذا في منزلك، يرجى تركيبه بواسطة اختصاصي كهرباء معتمد.
- يمكن للأطفال من سن 8 أعوام فأكثر استخدام هذا الجهاز ويمكن أيضاً للأشخاص من ذوي الاحتياجات الخاصة، الجسدية أو الحسية أو الذهنية أو الذين يفتقرون إلى الخبرة والمعرفة استخدام الجهاز إذا تم الإشراف عليهم أو إعطاؤهم تعليمات حول طريقة استخدام الجهاز بطريقة آمنة وحول فهم المخاطر المصاحبة. يجب على الأطفال عدم العبث بالجهاز. يحظر على الأطفال إجراء أعمال التنظيف والصيانة دون إشراف.
- يُسمح للأطفال الذين تتراوح أعمارهم بين 3 و8 أعوام بملء أجهزة التبريد وتفريغها. لا يُسمح للأطفال بإجراء أعمال التنظيف، أو صيانة الجهاز، ولا يُسمح للأطفال الصغار جداً (الذين تتراوح أعمارهم بين 0 و3 سنوات) باستخدام الأجهزة، أما بالنسبة للأطفال الصغار (الذين تتراوح أعمارهم بين 3 و8 سنوات)، فلا يُسمح لهم باستخدام الأجهزة بشكل آمن ما لم يتم الإشراف عليهم بشكل مستمر، ويُسمح للأطفال الأكبر سنّاً (الذين تتراوح أعمارهم بين 8 و14 عاماً) والأشخاص الضعفاء باستخدام الجهاز بشكل آمن بعد خضوعهم للإشراف المناسب، أو إعطاؤهم التعليمات المناسبة بشأن استخدام الجهاز. لا يُسمح للأشخاص الضعفاء جداً باستخدام الأجهزة ما لم يتم الإشراف عليهم بشكل مستمر.

1 تعليمات السلامة

1.1 تحذيرات السلامة العامة

اقرأ دليل المستخدم هذا بعناية.

⚠ تحذير: لا تضع عوائق في فتحات التهوية الخاصة في صندوق الجهاز أو الهيكل الداخلي.

⚠ تحذير: يجب عدم استخدام أدوات ميكانيكية أو أية وسائل أخرى للتسريع من عملية إزالة التجميد، بخلاف الأدوات التي توصي بها الجهة المصنعة.

⚠ تحذير: لا تستخدم أجهزة كهربائية داخل مقصورات حفظ المواد الغذائية بالجهاز، ما لم تكن من النوع الذي أوصت به الجهة المصنعة.

⚠ تحذير: لا تتلف دائرة التبريد.

⚠ تحذير: عند وضع الجهاز، تأكد من أن سلك التيار الكهربائي غير عالقٍ أو تالف.

⚠ تحذير: لا تضع مأخذ كهرباء محمولاً متعدد المقابس أو وحدات إمداد بالطاقة محمولة في ظهر الجهاز.

⚠ تحذير: لتجنب أي مخاطر محتملة لعدم استقرار الجهاز، يجب تثبيته وفقاً للتعليمات.

⚠ إذا كان جهازك يستخدم مادة التبريد R600a - (يمكنك معرفة هذا من خلال الملصق الموجود على المبرد) يجب أن تكون أكثر حذرًا أثناء النقل والتركيب لمنع تلف مكونات المبرد. على الرغم من أن الغاز R600a هو غازٌ طبيعي وصديقٌ للبيئة، فإنه قابلٌ للانفجار. وفي حالة وجود تسرب نتيجة حدوث تلف بمكونات المبرد، قم بإبعاد الثلاجة عن مصادر اللهب أو الحرارة المكشوفة وقم بتهوية الغرفة التي يوجد بها الجهاز لبضع دقائق.

- أثناء حمل الثلاجة وتغيير موضعها، لا تلمس الضرب بدوائر الغاز الخاصة بالمبرد.
- لا تقم بتخزين المواد المتفجرة مثل علب الأيروسول التي تحتوي على مواد قابلة للاشتعال في هذا الجهاز.

الفهرس

3	1 تعليمات السلامة
3	1.1 تحذيرات السلامة العامة
6	1.2 تحذيرات التركيب
6	1.3 معلومات كهربائية (قابس من نوع مخصص للمملكة المتحدة)
7	1.4 أثناء الاستخدام
8	2 وصف الجهاز
8	3 استخدام الجهاز
8	3.1 معلومات بشأن الجيل الجديد من تكنولوجيا التبريد
9	3.2 شاشة العرض ولوحة التحكم
9	3.2.1 استخدام لوحة التحكم
9	3.3 تشغيل فريزر ثلاجتك
9	3.3.1 وضع التبريد الفائق
9	3.3.2 وضع التجميد الفائق
9	3.3.3 تنشيط الوضع الاقتصادي
9	3.3.4 وضع الشاشة المؤقتة
10	3.3.5 إعدادات درجة حرارة وحدة التبريد
10	3.3.6 إعدادات درجة حرارة الفريزر
10	3.3.7 وظيفة الإنذار عند فتح الباب
10	3.4 تحذيرات إعدادات درجة الحرارة
11	3.5 الملحقات
11	3.5.1 صينية الثلج (في بعض الطرازات)
11	3.5.2 The Icematic (في بعض الطرازات)
11	3.5.3 صندوق التخزين
12	3.5.4 رف وحدة التبريد (في بعض الطرازات)
12	3.5.5 تقنية الأيونات الطبيعية (في بعض الطرازات)
12	3.5.6 Ultrafresh (إن وجدت)
13	4 تخزين الأطعمة
13	4.1 مقصورة الثلجة
13	4.2 مقصورة الفريزر
16	5 التنظيف والصيانة
16	5.1 إزالة الثلج
16	6 الشحن وضبط الوضع
16	6.1 النقل وتغيير الوضع
16	7 قبل الاتصال بخدمة ما بعد البيع
17	8 نصائح لتوفير الطاقة

نشكرك على اختيارك لهذا المنتج.
 يحتوي دليل المستخدم هذا على معلومات مهمة بشأن السلامة والإرشادات التي تهدف إلى مساعدتك في تشغيل الجهاز وصيانته.
 يُرجى أخذ الوقت الكافي لقراءة دليل المستخدم هذا قبل استخدام الجهاز والاحتفاظ بهذا الدليل للرجوع إليه في المستقبل.

المعنى	النوع	الأيقونة
خطر الإصابة الخطيرة أو الوفاة	تحذير	
خطر الجهد الكهربائي	خطر الصعق الكهربائي.	
تحذير؛ خطر نشوب حريق / مواد قابلة للاشتعال	خطر الحريق	
خطر التعرض للإصابة أو تلف الممتلكات	تنبيه:	
تشغيل النظام بطريقة صحيحة	هام	



52535261

